

Subject

Maintenance, inspection and test of Fire-Protection Systems and Appliances on board the Panama-registered ships

ClassNK

Technical Information

No. TEC-0970

Date 31 October 2013

To whom it may concern

The Panama Government has informed ClassNK that Merchant Marine Circular No.281, "Guidelines for the Maintenance and Inspection of Fire-Protection Systems and Appliances", which is in reference to maintenance, inspection and test of Fire-Protection System and Appliances on board the Panama-registered ships, was revised. The essential points of the Guidelines are shown below. The previous ClassNK Technical Information No.TEC-0910 is now superseded.

Purpose of the Guidelines

Provide the minimum recommended level of maintenance and inspections for the protection system and appliances. It should be noted that the general requirements contained in this Guideline are not an inclusive list of maintenance or inspection items for fire protection systems, fire fighting appliances, and emergency equipment.

Application of the Guidelines

1. The Guidelines applies to all Panamanian flag ships including units under MODU code. This information may be used as a basis for the ship's onboard maintenance plan required by SOLAS regulation II-2/14.
2. The Guidelines will also address maintenance and inspection of fixed carbon dioxide systems or portable fire extinguishers. As for the comprehensive instructions, they are provided in the Guidelines for the maintenance and inspections of fixed carbon dioxide fire extinguishing systems (MSC.1/Circ.1318) for fixed carbon dioxide systems, and in the Improved Guidelines for marine portable fire extinguishers (Resolution A.951 (23)) for portable fire extinguishers.
3. Our surveyors will confirm that the maintenance and testing records of fire protection systems and appliances are on board Panama-registered ships at every survey for Safety Equipment.
4. Where particular arrangements create practical difficulties, alternative testing and maintenance procedures and maintenance period should be consulted directly to the Administration. (See the 1.2.5 of the Guidelines).

The Abstract of the Guidelines is referred to the attachment 1. "General Requirements for the Maintenance and Inspection of Fire-protection Systems and Appliances (Abstract of Merchant Marine Circular No.281)".

As necessary, please refer to original text of the Circular (attachment 2.) which is available on Panama Government Internet Homepage (<http://www.segumar.com>).

(To be continued)

NOTES:

- ClassNK Technical Information is provided only for the purpose of supplying current information to its readers.
- ClassNK, its officers, employees and agents or sub-contractors do not warrant the accuracy of the information contained herein and are not liable for any loss, damage or expense sustained whatsoever by any person caused by use of or reliance on this information.
- Back numbers are available on ClassNK Internet Homepage (URL: www.classnk.or.jp).

For any questions about the above, please contact:

NIPPON KAIJI KYOKAI (ClassNK)
Survey Department, Administration Center, Head Office
Address: 4-7 Kioi-cho, Chiyoda-ku, Tokyo 102-8567, Japan
Tel.: +81-3-5226-2027
Fax: +81-3-5226-2029
E-mail: svd@classnk.or.jp

Attachment:

1. General Requirements for the Maintenance and Inspection of Fire-protection Systems and Appliances (Abstract of Merchant Marine Circular No.281)
2. Merchant Marine Circular No.281, "Guidelines for the Maintenance and Inspection of Fire-Protection Systems and Appliances" (Original)
3. MSC.1/Circ.1318: Guidelines for the Maintenance and Inspections of Fixed Carbon Dioxide Fire-Extinguishing Systems
4. Resolution A.951(23): Improved Guidelines for Marine Portable Fire Extinguishers
5. MSC.1/Circ.1312: Revised Guidelines for the Performance and Testing Criteria, and Survey of Foam Concentrates for Fixed Fire-Extinguishing Systems
6. MSC.1/Circ.798: Guidelines for Performance and Testing Criteria and Surveys of Medium-Expansion Concentrates for Fire-Extinguishing Systems
7. MSC.1/Circ.670: Guidelines for Performance and Testing Criteria and Surveys of High-Expansion Concentrates for Fire-Extinguishing Systems
8. MSC/Circ.600: Annual Leakage Check of Halon Fire-Extinguishing Systems

**Attachment 1. General Requirements for the Maintenance and Inspection of
Fire-protection Systems and Appliances (Abstract of Merchant Marine Circular No.281)**

1. General Requirements for the Maintenance and Inspection of Fire-protection Systems and Appliances.
 - 1.1 Operational readiness
 - 1.1.1 All fire protection system and appliances should be, at all times, in good order and readily available for immediate use while the ship is in service. If a fire protection system is undergoing maintenance, testing or repair, then suitable arrangements should be made to ensure safety is not diminished through the provisions of alternative fixed or portable fire protection equipment or other measures. The onboard maintenance plan should include provisions for this purpose.
 - 1.2 Maintenance and Testing
 - 1.2.1 Onboard maintenance and inspections should be carried out in accordance with the ship's maintenance plan.
 - 1.2.2 Certain maintenance procedures and inspections may be performed by competent crew members who have at least completed an advanced fire-fighting training course of STCW, while others should be performed by persons specially trained in the maintenance of such systems. The on board maintenance plan should indicate which parts of the recommended inspections and maintenance are to be completed by trained personnel.
 - 1.2.3 Inspections should be carried out by the crew to ensure that the indicated weekly, monthly, quarterly, annual, two-year, five-year and ten-year actions are taken for the specified equipment, if provided. Records of the inspections should be carried on board the ship, or may be computer based. In cases where the inspections and maintenance are carried out by trained service technicians other than the ship's crew, inspection reports should be provided at the completion of the testing.
 - 1.2.4 In addition to the onboard maintenance and inspections stated in these circular, manufacturer's maintenance and inspection guidelines should be followed.
 - 1.2.5 Where particular arrangements create practical difficulties, alternative testing and maintenance procedures should be consulted directly to the Administration.
 - 1.3 Weekly Testing and Inspections

- 1.3.1 Fixed fire detection and alarm systems:
 - a. Verify all fire detection and fire alarm control panel indicators are functional by operating the lamp/indicator test switch.
- 1.3.2 Fixed gas fire-extinguishing systems:
 - a. Verify all fixed fire-extinguishing system control panel indicators are functional by operating the lamp/indicator test switch.
 - b. Verify all control/section valves are in the correct position.
- 1.3.3 Fire doors:
 - a. Verify all fire door control panel indicators, if provided, are functional by operating the lamp/indicator switch.
- 1.3.4 Public address and general alarm systems:
 - a. Verify all public address systems and general alarm systems are functioning properly.
- 1.3.5 Breathing apparatus:
 - a. Examine all breathing apparatus and EEBD cylinder gauges to confirm they are in the correct pressure range.
- 1.3.6 Low location lighting:
 - a. Verify low location lighting systems are functional by switching off normal lighting in selected locations.
- 1.3.7 Water mist, water spray and sprinkler systems:
 - a. Verify all control panel indicators and alarms are functional.
 - b. Visually inspect pump unit and its fittings.
 - c. Check the pump unit valve positions, if valves are not locked, as applicable.
- 1.4 Monthly testing and inspections
Monthly inspections should be carried out to ensure that the indicated actions are taken for the specified equipment:
 - 1.4.1 Fire mains, fire pumps, hydrants, hoses and nozzles
 - a. Verify all fire hydrants, hose and nozzles are in place, properly arranged, and are in serviceable condition.
 - b. Operate all fire pumps to confirm that they continue to supply adequate pressure.
 - c. Emergency fire pump fuel supply adequate, and heating system in satisfactory condition, if applicable.
 - 1.4.2 Fixed gas fire-extinguishing systems
 - a. Verify containers/cylinders fitted with pressure gauges are in the proper range and the installation free from leakage.
 - 1.4.3 Foam fire-extinguishing systems

- a. Verify all control and section valves are in the proper open or closed position, and all pressure gauges are in the proper range.
- 1.4.4 Water mist, water spray and sprinkler systems
- a. Verify all control, pump unit and section valves are in the proper open or closed position.
 - b. Verify sprinkler pressure tanks or other means have correct levels of water.
 - c. Test automatic starting arrangements on all system pumps so designed;
 - d. Verify all standby pressure and air/gas pressure gauges are within the proper pressure ranges; and
 - e. Test a selected sample of system section valves for flow and proper initiation of alarms.(Note – The valves selected for testing should be chosen to ensure that all valves are tested within a oneyear period.)
- 1.4.5 Firefighter's outfits
- a. Verify lockers providing storage for firefighting equipment contain their full inventory and equipment is in serviceable condition.
- 1.4.6 Fixed dry chemical powder systems
- a. Verify all control and section valves are in the proper open or closed position, and all pressure gauges are in the proper range.
- 1.4.7 Fixed aerosol extinguishing systems
- a. Verify all electrical connections and/or manual operating stations are properly arranged, and are in proper condition.
 - b. verify the actuation system/control panel circuits are within manufacturer's specifications.
- 1.4.8 Portable foam applicators
- a. Verify all portable foam applicators are in place, properly arranged, and are in proper condition.
- 1.4.9 Wheeled (mobile) fire extinguishers
- a. Verify all extinguishers are in place, properly arranged, and are in proper condition.
- 1.4.10 Fixed fire detection and alarm systems
- a. Test a sample of detectors and manual call points so that all devices have been tested within five years. For very large systems the sample size should be determined by the Administration.
- 1.5 Quarterly testing and inspections
- Quarterly inspections should be carried out to ensure that the actions are taken for the specified equipment.

1.5.1 Fire mains, fire pumps, hydrants, hoses and nozzles

- a. Verify international shore connection(s) is in serviceable condition.

1.5.2 Foam fire-extinguishing systems

- a. Verify the proper quantity of foam concentrate is provided in the foam system.

1.5.3 Ventilation systems and fire dampers

- a. Test all fire dampers for local operation.

1.5.4 Fire doors:

- a. Test all fire doors located in main vertical zone bulkheads for local operation.

1.6 Annual testing and inspections.

Annual inspections should be carried out to ensure that the indicated actions are taken for the specified equipment:

1.6.1 Fire mains, fire pumps, hydrants, hoses and nozzles

- a. Visually inspect all accessible components for proper condition.
- b. Flow test all fire pumps for proper pressure and capacity. Test emergency fire pump with isolation valves closed.
- c. Test all hydrant valves for proper operation.
- d. Pressure test a sample of fire hoses at the maximum fire main pressure, so that all fire hoses are tested within five years.
- e. Verify all fire pump relief valves, if provided, are properly set.
- f. Examine all filters/strainers to verify they are free of debris and contamination.
- g. Nozzle size/type correct, maintained and working.

1.6.2 Fixed fire detection and fire alarm systems

- a. Test all fire detection systems and fire detection systems used to automatically release fire-extinguishing systems for proper operation, as appropriate.
- b. Visually inspect all accessible detectors for evidence of tampering obstruction, etc., so that all detectors are inspected within one year.
- c. Test emergency power supply switchover.

1.6.3 Fixed gas fire-extinguishing systems

- a. Visually inspect all accessible components for proper condition.
- b. Externally examine all high pressure cylinders for evidence of damage or corrosion.
- c. Check the hydrostatic test date of all storage containers.
- d. Functionally test all fixed system audible and visual alarms.
- e. Verify all control/section valves are in the correct position.
- f. Check the connections of all pilot release piping and tubing for tightness.
- g. Examine all flexible hoses in accordance with manufacturer's recommendations.

- h. Test all fuel shut-off controls connected to fire-protection systems for proper operation.
- i. The boundaries of the protected space should be visually inspected to confirm that no modifications have been made to the enclosure that have created uncloseable openings that would render the system ineffective.
- j. If cylinders are installed inside the protected space, verify the integrity of the double release lines inside the protected space, and check low pressure or circuit integrity monitors on release cabinet, as applicable.

1.6.4 Foam fire-extinguishing systems

- a. Visually inspect all accessible components for proper condition.
- b. Functionally test all fixed system audible alarms.
- c. Flow test all water supply and foam pumps for proper pressure and capacity, and confirm flow at the required pressure in each section (Ensure all piping is thoroughly flushed with fresh water after service.)
- d. Test all system cross connections to other sources of water supply for proper operation.
- e. Verify all pump relief valves, if provided, are properly set.
- f. Examine all filters/strainers to verify they are free of debris and contamination.
- g. Verify all control/section valves are in the correct position.
- h. Blow dry compressed air or nitrogen through the discharge piping or otherwise confirm the pipework and nozzles of high expansion foam systems are clear of any obstructions, debris and contamination. This may require the removal of nozzles, if applicable.
- i. Take samples from all foam concentrates carried on board and subject them to the periodical control tests in MSC.1/Circ.1312, for low expansion foam, or MSC/Circ.670 for high expansion foam. (Note: Except for non-alcohol resistant foam, the first test need not be conducted until 3 years after being supplied to the ship.)
- j. Test all fuel shut-off controls connected to fire-protection systems for proper operation.

1.6.5 Water mist, water spray and sprinkler systems

- a. Verify proper operation of all water mist, water-spray and sprinkler systems using the test valves for each section.
- b. Visually inspect all accessible components for proper condition.
- c. Externally examine all high pressure cylinders for evidence of damage or corrosion.
- d. Check the hydrostatic test date of all high pressure cylinders.
- e. Functionally test all fixed system audible and visual alarms.
- f. Flow test all pumps for proper pressure and capacity.
- g. Test all antifreeze systems for adequate freeze protection.
- h. Test all system cross connections to other sources of water supply for proper operation.
- i. Verify all pump relief valves, if provided, are properly set.

- j. Examine all filters/strainers to verify they are free of debris and contamination.
- k. Verify all control/section valves are in the correct position.
- l. Blow dry compressed air or nitrogen through the discharge piping of dry pipe systems, or otherwise confirm the pipework and nozzles are clear of any obstructions. This may require the removal of nozzles, if applicable.
- m. Test emergency power supply switchover, where applicable.
- n. Visually inspect all sprinklers focusing in areas where sprinklers are subject to aggressive atmosphere (like saunas, spas, kitchen areas) and subject to physical damage (like luggage handling areas, gyms, play rooms, etc.) so that all sprinklers are inspected within one year.
- o. Check for any changes that may affect the system such as obstructions by ventilation ducts, pipes, etc.
- p. Test a minimum of one section in each open head water mist system by flowing water through the nozzles. The sections tested should be chosen so that all sections are tested within a five-year period.
- q. Test a minimum of two automatic sprinklers or automatic water mist nozzles for proper operation.

1.6.6 Ventilation systems and fire dampers

- a. Test all fire dampers for remote operation.
- b. Verify galley exhaust ducts and filters are free of grease buildup.
- c. Test all ventilation controls interconnected with fire-protection systems for proper operation.

1.6.7 Fire doors

- a. Test all remotely controlled fire doors for proper release.

1.6.8 Breathing apparatus

- a. Check breathing apparatus air recharging systems, if fitted, for air quality.
- b. Check all breathing apparatus face masks and air demand valves are in serviceable condition.
- c. Check EEBDs according to maker's instructions.

1.6.9 Fixed dry chemical powder systems

- a. Visually inspect all accessible components for proper condition.
- b. Verify the pressure regulators are in proper order and within calibration.
- c. Agitate the dry chemical powder charge with nitrogen in accordance with system manufacturer's instructions. (Note: Due to the powder's affinity for moisture, any nitrogen gas introduced for agitation must be moisture free.)

1.6.10 Fixed aerosol extinguishing systems

- a. Verify condensed or dispersed aerosol generators have not exceeded their mandatory replacement date. Pneumatic or electric actuators should be demonstrated working, as far as practicable.

1.6.11 Portable foam applicators

- a. Verify all portable foam applicators are set to the correct proportioning ratio for the foam concentrate supplied and the equipment is in proper order.
- b. Verify all portable containers or portable tanks containing foam concentrate remain factory sealed, and the manufacturer's recommended service life interval has not been exceeded.
- c. Portable containers or portable tanks containing foam concentrate, excluding protein based concentrates, less than 10 years old, that remain factory sealed can normally be accepted without the periodical foam control tests required in MSC.1/Circ.1312 being carried out.
- d. Protein based foam concentrate portable containers and portable tanks should be thoroughly checked and, if more than five years old, the foam concentrate should be subjected to the periodical foam control tests required in MSC.1/Circ.1312, or renewed.
- e. The foam concentrates of any non-sealed portable containers and portable tanks, and portable containers and portable tanks where production data is not documented, should be subjected to the periodical foam control tests required in MSC.1/Circ.1312.

1.6.12 Wheeled (mobile) fire extinguishers

- a. Perform periodical inspections in accordance with the manufacturer's instructions.
- b. Visually inspect all accessible components for proper condition.
- c. Check the hydrostatic test date of each cylinder.
- d. For dry powder extinguishers, invert extinguisher to ensure powder is agitated.

1.6.13 Galley and deep fat cooking fire-extinguishing systems

- a. Check galley and deep fat cooking fire-extinguishing systems in accordance with the manufacturer's instructions.

1.7 Two-year testing and inspections

Two-year inspections should be carried out to ensure that the indicated actions are taken for the specified equipment.

1.7.1 Fixed gas fire-extinguishing systems

- a. All high pressure extinguishing agents cylinders and pilot cylinders should be weighed or have their contents verified by other reliable means to confirm that the available charge in each is above 95 per cent of the nominal charge. Cylinders containing less than 95 per cent of the nominal charge should be refilled.

- b. Blow dry compressed air or nitrogen through the discharge piping or otherwise confirm the pipe work and nozzles are clear of any obstructions. This may require the removal of nozzles, if applicable.

1.7.2 Fixed dry chemical powder systems

- a. Blow dry nitrogen through the discharge piping to confirm that the pipe work and nozzles are clear of any obstructions.
- b. Operationally test local and remote controls and section valves.
- c. Verify the contents of propellant gas cylinders (including remote operating stations)
- d. Test a sample of dry chemical powder for moisture content.
- e. Subject the powder containment vessel, safety valve and discharge hoses to a full working pressure test.

1.8 Five-year service

At least once every five years, the following inspections should be carried out for the specified equipment.

1.8.1 Fixed gas fire-extinguishing systems

- a. Perform internal inspection of all control valves.

1.8.2 Foam fire-extinguishing systems

- a. Perform internal inspection of all control valves.
- b. Flush all high expansion foam system piping with fresh water, drain and purge with air.
- c. Check all nozzles to prove they are clear of debris.
- d. Test all foam proportioners or other foam mixing devices to confirm that the mixing ratio tolerance is within +30 to -10% of the nominal mixing ratio defined by the system approval.

1.8.3 Water mist, water spray and sprinkler systems

- a. Flush all ro-ro deck deluge system piping with water, drain and purge with air.
- b. Perform internal inspection of all control/section valves.
- c. Check condition of any batteries, or renew in accordance with manufacturer's recommendations.

1.8.4 Breathing apparatus

- a. Perform hydrostatic testing of all steel self-contained breathing apparatus cylinders. Aluminium and composite cylinders should be tested to the satisfaction of the Administration.

1.8.5 Low-location lighting

- a. Test the luminance of all systems in accordance with the procedures in resolution A.752(18).

- 1.8.6 Wheeled (mobile) fire extinguishers
- a. Visually examine at least one extinguisher of each type manufactured in the same year and kept on board.
- 1.9 Ten-year Service
- At least once every 10 years, the following inspections should be carried out for the specified equipment.
- 1.9.1 Fixed gas fire-extinguishing systems
- a. Perform a hydrostatic test and internal examination of 10 per cent of the system's extinguishing agent and pilot cylinders. If one or more cylinders fail, a total of 50 per cent of the onboard cylinders should be tested. If further cylinders fail, all cylinders should be tested.
 - b. Flexible hoses should be replaced at the intervals recommended by the manufacturer and not exceeding every 10 years.
 - c. If permitted by the Administration, visual inspection and NDT (non-destructive testing) of halon cylinders may be performed in lieu of hydrostatic testing.
- 1.9.2 Water mist, water spray and sprinkler systems
- a. Perform a hydrostatic test and internal examination for gas and water pressure cylinders according to flag Administration guidelines or, where these do not exist, EN 1968:2002 + A1.
- 1.9.3 Fixed dry chemical powder systems
- a. Subject all powder containment vessels to hydrostatic or nondestructive testing carried out by an accredited service agent.
- 1.9.4 Fixed aerosol extinguishing systems
- a. Condensed or dispersed aerosol generators to be renewed in accordance with manufacturer's recommendations.
- 1.9.5 Wheeled (mobile) fire extinguishers
- a. All extinguishers together with propellant cartridges should be hydrostatically tested by specially trained persons in accordance with recognized standards or the manufacturer's instructions.
- 2 Requirements for Specific Maintenance and Inspection of Portable Fire Extinguishers
- 2.1 Maintenance and Inspection of Portable Fire Extinguishers
- Maintenance and Inspection of Portable Fire Extinguishers should only be undertaken by, or under the supervision of, a person with demonstrable competence or an accredited service company, based on the Resolution A 951(23) and manufacture's

recommendations.

- 2.2 Refilling for portable fire extinguishers
Periodic refilling of the cylinders should be in accordance with the manufacturer's recommendations. Only refills approved for the extinguisher may be used for recharging. Partially emptied extinguishers should be recharged.

- 3 Requirements for Specific Maintenance and Inspection of Fixed Fire-Extinguishing Systems
 - 3.1 Please refer to following guidelines:
 - 3.1.1 MSC.1/Circ. 1318 - Guidelines for the maintenance and inspections of fixed carbon dioxide fire- extinguishing systems
 - 3.1.2 MSC.1/Circ. 1312 - Revised Guidelines for the Performance and Testing Criteria, and Surveys of Foam Concentrates for Fixed Fire extinguishing Systems
 - 3.1.3 MSC.1/Circ.798 - Guidelines for Performance and Testing Criteria and Surveys of Medium expansion Concentrates For Fire Extinguishing Systems
 - 3.1.4 MSC.1/Circ.670 - Guidelines for the Performance and Testing Criteria and Surveys of High expansion Foam Concentrates for Fixed Fire extinguishing Systems

- 4 Requirements for Specific Maintenance and Inspection of Halon installations of fire-extinguishing systems
 - 4.1 Full-scale tests of Halon fire-extinguishing systems on board ships are prohibited since January 1992 in accordance with Resolution A.719 (17).
 - 4.2 Annual leakage check shall be carried out as per MSC.1/Circ. 600 - Annual Leakage Check of Halon Fire-Extinguishing Systems. The Chief Engineer can carry out this test if provided with the proper equipment and training.
 - 4.3 During the annual leakage check, if any cylinder showing signs of leakage, loss of contents exceeding 5% from the installed quantity, signs of mechanical damage or excessive corrosion, must be withdrawn from service.



PANAMA MARITIME AUTHORITY
MERCHANT MARINE CIRCULAR MMC-281

PanCanal Building
Albrook, Panama City
Republic of Panama
Tel: (507) 501-5355
jortega@segumar.com

To: Ship-owners/Operators, Company Security Officers, Legal Representatives of Panamanian Flagged Vessels, Panamanian Merchant Marine Consulates and Recognized Organizations (RO's).

Subject: Guidelines for the Maintenance, Inspection of Fire-Protection System and Appliances.

Reference:

- a. MSC.1/Circ.1432 - Revised Guidelines for the Maintenance and Inspection of Fire Protection Systems and Appliances (supersedes MSC/Circ. 850).
 - b. Resolution A. 951(23) - Improved Guidelines for Marine Portable Fire Extinguishers
 - c. MSC.1/Circ. 1318 – Guidelines for the maintenance and inspections of fixed carbon dioxide fire- extinguishing systems
 - d. MSC.1/Circ. 1312, Revised Guidelines for the Performance and Testing Criteria, and Surveys of Foam Concentrates for Fixed Fire extinguishing Systems
 - e. MSC.1/Circ. 1275 - Unified Interpretation of SOLAS CH II-2 on the number and arrangement of portable fire extinguishers on board ships
 - f. MSC.1/Circ.849 - Guidelines for the Performance, Location, use and care of Emergency Escape Breathing Devices (EEBDs)
 - g. MSC.1/Circ.798 - Guidelines for Performance and Testing Criteria and Surveys of Medium expansion Concentrates For Fire Extinguishing Systems
 - h. MSC.1/Circ.670 - Guidelines for the Performance and Testing Criteria and Surveys of High expansion Foam Concentrates for Fixed Fire extinguishing Systems
 - i. MSC.1/Circ. 600 - Annual Leakage Check of Halon Fire-Extinguishing Systems
 - j. Resolution A.752(18) - Guidelines for the Evaluation, Testing and Application of Low-location Lighting on Passenger Ships
-

This Merchant Marine Circular supersedes MMC. No. 96 and 226.

Purpose

Provide the minimum recommended level of maintenance and inspections for the protection system and appliances. It should be noted that the general requirements contained in this Circular are not an all inclusive list of maintenance or inspection items for fire protection systems, fire fighting appliances, and emergency equipment.

<i>Prepared by: Translator</i>	Revised by: Compliance and Enforcement Deputy Chief	<i>Approved by: Compliance and Enforcement Chief</i>
<i>Control N°: F-RIN-04-01</i>	<i>Version: 05</i>	<i>Date: 21 January, 2013</i>
		Page 1 of 11

Application

1. This Circular applies to all ships. This information may be used as a basis for the ship's onboard maintenance plan required by SOLAS regulation II-2/14.
2. This Circular will also address maintenance and inspection of fixed carbon dioxide systems or portable fire extinguishers. According to the comprehensive instructions provided in the Guidelines for the maintenance and inspections of fixed carbon dioxide fire extinguishing systems (MSC.1/Circ.1318) for fixed carbon dioxide systems, and in the Improved Guidelines for marine portable fire extinguishers (Resolution A.951 (23)) for portable fire extinguishers
3. These guidelines apply to all ships including units under MODU code.

1. General Requirements for the Maintenance and Inspection of Fire-protection Systems and Appliances.

1.1. Operational readiness

- 1.1.1. All fire protection system and appliances should be, at all times, in good order and readily available for immediate use while the ship is in service. If a fire protection system is undergoing maintenance, testing or repair, then suitable arrangements should be made to ensure safety is not diminished through the provisions of alternative fixed or portable fire protection equipment or other measures. The onboard maintenance plan should include provisions for this purpose.
- 1.1.2. Where Recognized Organization issuing the vessel's Statutory Certificate determines that the equipment does not comply with the requirements of the corresponding mandatory regulations, it must request to SEGUMAR Office authorization for the issuance of the relevant Conditional Statutory Certificate or authorization prior to sail at conditionals@segumar.com, as per the Merchant Marine Circular No.156.

1.2. Maintenance and Testing

- 1.2.1. Onboard maintenance and inspections should be carried out in accordance with the ship's maintenance plan.
- 1.2.2. Certain maintenance procedures and inspections may be performed by competent crew members who have completed an advanced fire-fighting training course, while others should be performed by persons specially trained in the maintenance of such systems. The on board maintenance plan should indicate which parts of the recommended inspections and maintenance are to be completed by trained personnel.
- 1.2.3. Inspections should be carried out by the crew to ensure that the indicated weekly, monthly, quarterly, annual, two-year, five-year and ten-year actions are taken for the specified equipment, if provided. Records of the inspections should be carried on board the ship, or may be computer based. In cases where the inspections and maintenance are carried out by trained service technicians other than the ship's crew, inspection reports should be provided at the completion of the testing.
- 1.2.4. In addition to the onboard maintenance and inspections stated in these circular, manufacturer's maintenance and inspection guidelines should be followed.

<i>Prepared by: Translator</i>	<i>Revised by: Compliance and Enforcement Deputy Chief</i>	<i>Approved by: Compliance and Enforcement Chief</i>	
<i>Control N°: F-RIN-04-01</i>	<i>Version: 05</i>	<i>Date: 21 January, 2013</i>	Page 2 of 11

- 1.2.5. Where particular arrangements create practical difficulties, alternative testing and maintenance procedures should be consulted directly to the Administration.

1.3. Weekly Testing and Inspections

- 1.3.1. Fixed fire detection and alarm systems:
- a. Verify all fire detection and fire alarm control panel indicators are functional by operating the lamp/indicator test switch.
- 1.3.2. Fixed gas fire-extinguishing systems:
- a. Verify all fixed fire-extinguishing system control panel indicators are functional by operating the lamp/indicator test switch; and
 - b. Verify all control/section valves are in the correct position.
- 1.3.3. Fire doors:
- a. Verify all fire door control panel indicators, if provided, are functional by operating the lamp/indicator switch.
- 1.3.4. Public address and general alarm systems:
- a. Verify all public address systems and general alarm systems are functioning properly.
- 1.3.5. Breathing apparatus:
- a. Examine all breathing apparatus and EEBD cylinder gauges to confirm they are in the correct pressure range.
- 1.3.6. Low location lighting:
- a. Verify low location lighting systems are functional by switching off normal lighting in selected locations.
- 1.3.7. Water mist, water spray and sprinkler systems:
- b. Verify all control panel indicators and alarms are functional;
 - c. visually inspect pump unit and its fittings; and
 - d. check the pump unit valve positions, if valves are not locked, as applicable.

1.4. Monthly testing and inspections

Monthly inspections should be carried out to ensure that the indicated actions are taken for the specified equipment:

- 1.4.1. Fire mains, fire pumps, hydrants, hoses and nozzles:
- a. Verify all fire hydrants, hose and nozzles are in place, properly arranged, and are in serviceable condition;
 - b. Operate all fire pumps to confirm that they continue to supply adequate pressure; and
 - c. Emergency fire pump fuel supply adequate, and heating system in satisfactory condition, if applicable.
- 1.4.2. Fixed gas fire-extinguishing systems:
- a. Verify containers/cylinders fitted with pressure gauges are in the proper range and the installation free from leakage.

<i>Prepared by: Translator</i>	<i>Revised by: Compliance and Enforcement Deputy Chief</i>	<i>Approved by: Compliance and Enforcement Chief</i>	
<i>Control N°: F-RIN-04-01</i>	<i>Version: 05</i>	<i>Date: 21 January, 2013</i>	<i>Page 3 of 11</i>

- 1.4.3. Foam fire-extinguishing systems:
- a. Verify all control and section valves are in the proper open or closed position, and all pressure gauges are in the proper range.
- 1.4.4. Water mist, water spray and sprinkler systems:
- a. Verify all control, pump unit and section valves are in the proper open or closed position;
 - b. verify sprinkler pressure tanks or other means have correct levels of water;
 - c. test automatic starting arrangements on all system pumps so designed;
 - d. verify all standby pressure and air/gas pressure gauges are within the proper pressure ranges; and
 - e. test a selected sample of system section valves for flow and proper initiation of alarms.

(Note – The valves selected for testing should be chosen to ensure that all valves are tested within a oneyear period.)

- 1.4.5. Firefighter's outfits:
- a. Verify lockers providing storage for firefighting equipment contain their full inventory and equipment is in serviceable condition.
- 1.4.6. Fixed dry chemical powder systems:
- a. Verify all control and section valves are in the proper open or closed position, and all pressure gauges are in the proper range.
- 1.4.7. Fixed aerosol extinguishing systems:
- a. Verify all electrical connections and/or manual operating stations are properly arranged, and are in proper condition; and
 - b. verify the actuation system/control panel circuits are within manufacturer's specifications.
- 1.4.8. Portable foam applicators:
- a. Verify all portable foam applicators are in place, properly arranged, and are in proper condition.
- 1.4.9. Wheeled (mobile) fire extinguishers:
- a. Verify all extinguishers are in place, properly arranged, and are in proper condition.
- 1.4.10. Fixed fire detection and alarm systems:
- a. Test a sample of detectors and manual call points so that all devices have been tested within five years. For very large systems the sample size should be determined by the Administration.

1.5. Quarterly testing and inspections

Quarterly inspections should be carried out to ensure that the actions are taken for the specified equipment:

- 1.5.1. Fire mains, fire pumps, hydrants, hoses and nozzles:
- a. Verify international shore connection(s) is in serviceable condition.
- 1.5.2. Foam fire-extinguishing systems:
- a. Verify the proper quantity of foam concentrate is provided in the foam system

<i>Prepared by: Translator</i>	Revised by: Compliance and Enforcement Deputy Chief	<i>Approved by: Compliance and Enforcement Chief</i>	
<i>Control N°: F-RIN-04-01</i>	<i>Version: 05</i>	<i>Date: 21 January, 2013</i>	<i>Page 4 of 11</i>

storage tank.

1.5.3. Ventilation systems and fire dampers:

- a. Test all fire dampers for local operation.

1.5.4. Fire doors:

- a. Test all fire doors located in main vertical zone bulkheads for local operation.

1.6. Annual testing and inspections.

Annual inspections should be carried out to ensure that the indicated actions are taken for the specified equipment:

1.6.1. Fire mains, fire pumps, hydrants, hoses and nozzles:

- a. visually inspect all accessible components for proper condition;
- b. flow test all fire pumps for proper pressure and capacity. Test emergency fire pump with isolation valves closed;
- c. test all hydrant valves for proper operation;
- d. pressure test a sample of fire hoses at the maximum fire main pressure, so that all fire hoses are tested within five years;
- e. verify all fire pump relief valves, if provided, are properly set;
- f. examine all filters/strainers to verify they are free of debris and contamination; and
- g. nozzle size/type correct, maintained and working.

1.6.2. Fixed fire detection and fire alarm systems:

- a. test all fire detection systems and fire detection systems used to automatically release fire-extinguishing systems for proper operation, as appropriate;
- b. visually inspect all accessible detectors for evidence of tampering obstruction, etc., so that all detectors are inspected within one year; and
- c. test emergency power supply switchover.

1.6.3. Fixed gas fire-extinguishing systems:

- a. visually inspect all accessible components for proper condition;
- b. externally examine all high pressure cylinders for evidence of damage or corrosion;
- c. check the hydrostatic test date of all storage containers;
- d. functionally test all fixed system audible and visual alarms;
- e. verify all control/section valves are in the correct position;
- f. check the connections of all pilot release piping and tubing for tightness;
- g. examine all flexible hoses in accordance with manufacturer's recommendations;
- h. test all fuel shut-off controls connected to fire-protection systems for proper operation;
- i. the boundaries of the protected space should be visually inspected to confirm that no modifications have been made to the enclosure that have created uncloseable openings that would render the system ineffective; and
- j. if cylinders are installed inside the protected space, verify the integrity of the double release lines inside the protected space, and check low pressure or circuit integrity monitors on release cabinet, as applicable.

1.6.4. Foam fire-extinguishing systems:

- a. visually inspect all accessible components for proper condition;
- b. functionally test all fixed system audible alarms;
- c. flow test all water supply and foam pumps for proper pressure and capacity, and confirm flow at the required pressure in each section (Ensure all piping is

<i>Prepared by: Translator</i>	<i>Revised by: Compliance and Enforcement Deputy Chief</i>	<i>Approved by: Compliance and Enforcement Chief</i>	
<i>Control N°: F-RIN-04-01</i>	<i>Version: 05</i>	<i>Date: 21 January, 2013</i>	<i>Page 5 of 11</i>

- thoroughly flushed with fresh water after service.);
- d. test all system cross connections to other sources of water supply for proper operation;
- e. verify all pump relief valves, if provided, are properly set;
- f. examine all filters/strainers to verify they are free of debris and contamination;
- g. verify all control/section valves are in the correct position;
- h. blow dry compressed air or nitrogen through the discharge piping or otherwise confirm the pipework and nozzles of high expansion foam systems are clear of any obstructions, debris and contamination. This may require the removal of nozzles, if applicable;
- i. take samples from all foam concentrates carried on board and subject them to the periodical control tests in MSC.1/Circ.1312, for low expansion foam, or MSC/Circ.670 for high expansion foam.
(Note: Except for non-alcohol resistant foam, the first test need not be conducted until 3 years after being supplied to the ship.); and
- j. test all fuel shut-off controls connected to fire-protection systems for proper operation.

1.6.5. Water mist, water spray and sprinkler systems:

- a. verify proper operation of all water mist, water-spray and sprinkler systems using the test valves for each section;
- b. visually inspect all accessible components for proper condition;
- c. externally examine all high pressure cylinders for evidence of damage or corrosion;
- d. check the hydrostatic test date of all high pressure cylinders;
- e. functionally test all fixed system audible and visual alarms;
- f. flow test all pumps for proper pressure and capacity;
- g. test all antifreeze systems for adequate freeze protection;
- h. test all system cross connections to other sources of water supply for proper operation;
- i. verify all pump relief valves, if provided, are properly set;
- j. examine all filters/strainers to verify they are free of debris and contamination;
- k. verify all control/section valves are in the correct position;
- l. blow dry compressed air or nitrogen through the discharge piping of dry pipe systems, or otherwise confirm the pipework and nozzles are clear of any obstructions. This may require the removal of nozzles, if applicable;
- m. test emergency power supply switchover, where applicable;
- n. visually inspect all sprinklers focusing in areas where sprinklers are subject to aggressive atmosphere (like saunas, spas, kitchen areas) and subject to physical damage (like luggage handling areas, gyms, play rooms, etc.) so that all sprinklers are inspected within one year;
- o. check for any changes that may affect the system such as obstructions by ventilation ducts, pipes, etc.;
- p. test a minimum of one section in each open head water mist system by flowing water through the nozzles. The sections tested should be chosen so that all sections are tested within a five-year period; and
- q. test a minimum of two automatic sprinklers or automatic water mist nozzles for proper operation.

1.6.6. Ventilation systems and fire dampers:

- a. test all fire dampers for remote operation;
- b. verify galley exhaust ducts and filters are free of grease buildup;
- and
- c. test all ventilation controls interconnected with fire-protection systems for proper

<i>Prepared by: Translator</i>	<i>Revised by: Compliance and Enforcement Deputy Chief</i>	<i>Approved by: Compliance and Enforcement Chief</i>	
<i>Control N°: F-RIN-04-01</i>	<i>Version: 05</i>	<i>Date: 21 January, 2013</i>	<i>Page 6 of 11</i>

operation.

1.6.7. Fire doors:

- a. Test all remotely controlled fire doors for proper release.

1.6.8. Breathing apparatus:

- a. check breathing apparatus air recharging systems, if fitted, for air quality;
- b. check all breathing apparatus face masks and air demand valves are in serviceable condition; and
- c. check EEBDs according to maker's instructions.

1.6.9. Fixed dry chemical powder systems:

- a. visually inspect all accessible components for proper condition;
- b. verify the pressure regulators are in proper order and within calibration; and
- c. agitate the dry chemical powder charge with nitrogen in accordance with system manufacturer's instructions.

(Note: Due to the powder's affinity for moisture, any nitrogen gas introduced for agitation must be moisture free.)

1.6.10. Fixed aerosol extinguishing systems:

- a. Verify condensed or dispersed aerosol generators have not exceeded their mandatory replacement date. Pneumatic or electric actuators should be demonstrated working, as far as practicable.

1.6.11. Portable foam applicators:

- a. verify all portable foam applicators are set to the correct proportioning ratio for the foam concentrate supplied and the equipment is in proper order;
- b. verify all portable containers or portable tanks containing foam concentrate remain factory sealed, and the manufacturer's recommended service life interval has not been exceeded;
- c. portable containers or portable tanks containing foam concentrate, excluding protein based concentrates, less than 10 years old, that remain factory sealed can normally be accepted without the periodical foam control tests required in MSC.1/Circ.1312 being carried out;
- d. protein based foam concentrate portable containers and portable tanks should be thoroughly checked and, if more than five years old, the foam concentrate should be subjected to the periodical foam control tests required in MSC.1/Circ.1312, or renewed; and
- e. the foam concentrates of any non-sealed portable containers and portable tanks, and portable containers and portable tanks where production data is not documented, should be subjected to the periodical foam control tests required in MSC.1/Circ.1312.

1.6.12. Wheeled (mobile) fire extinguishers:

- a. perform periodical inspections in accordance with the manufacturer's instructions;
- b. visually inspect all accessible components for proper condition;
- c. check the hydrostatic test date of each cylinder; and
- d. for dry powder extinguishers, invert extinguisher to ensure powder is agitated.

1.6.13. Galley and deep fat cooking fire-extinguishing systems:

- a. Check galley and deep fat cooking fire-extinguishing systems in accordance with the manufacturer's instructions.

<i>Prepared by: Translator</i>	<i>Revised by: Compliance and Enforcement Deputy Chief</i>	<i>Approved by: Compliance and Enforcement Chief</i>	
<i>Control N°: F-RIN-04-01</i>	<i>Version: 05</i>	<i>Date: 21 January, 2013</i>	<i>Page 7 of 11</i>

1.7. Two-year testing and inspections

Two-year inspections should be carried out to ensure that the indicated actions are taken for the specified equipment.

1.7.1. Fixed gas fire-extinguishing systems:

- a. all high pressure extinguishing agents cylinders and pilot cylinders should be weighed or have their contents verified by other reliable means to confirm that the available charge in each is above 95 per cent of the nominal charge. Cylinders containing less than 95 per cent of the nominal charge should be refilled; and
- b. blow dry compressed air or nitrogen through the discharge piping or otherwise confirm the pipe work and nozzles are clear of any obstructions. This may require the removal of nozzles, if applicable.

1.7.2. Fixed dry chemical powder systems:

- a. blow dry nitrogen through the discharge piping to confirm that the pipe work and nozzles are clear of any obstructions;
- b. operationally test local and remote controls and section valves;
- c. verify the contents of propellant gas cylinders (including remote operating stations);
- d. test a sample of dry chemical powder for moisture content; and
- e. subject the powder containment vessel, safety valve and discharge hoses to a full working pressure test.

1.8. Five-year service

At least once every five years, the following inspections should be carried out for the specified equipment:

1.8.1. Fixed gas fire-extinguishing systems:

- a. Perform internal inspection of all control valves.

1.8.2. Foam fire-extinguishing systems:

- a. perform internal inspection of all control valves;
- b. flush all high expansion foam system piping with fresh water, drain and purge with air;
- c. check all nozzles to prove they are clear of debris; and
- d. test all foam proportioners or other foam mixing devices to confirm that the mixing ratio tolerance is within +30 to -10% of the nominal mixing ratio defined by the system approval.

1.8.3. Water mist, water spray and sprinkler systems:

- a. flush all ro-ro deck deluge system piping with water, drain and purge with air;
- b. perform internal inspection of all control/section valves; and
- c. check condition of any batteries, or renew in accordance with manufacturer's recommendations.

1.8.4. Breathing apparatus:

- a. Perform hydrostatic testing of all steel self-contained breathing apparatus cylinders. Aluminium and composite cylinders should be tested to the satisfaction of the Administration.

<i>Prepared by: Translator</i>	Revised by: Compliance and Enforcement Deputy Chief	<i>Approved by: Compliance and Enforcement Chief</i>	
<i>Control N°: F-RIN-04-01</i>	<i>Version: 05</i>	<i>Date: 21 January, 2013</i>	<i>Page 8 of 11</i>

- 1.8.5. Low-location lighting:
 - a. Test the luminance of all systems in accordance with the procedures in resolution A.752(18).
- 1.8.6. Wheeled (mobile) fire extinguishers:
 - a. Visually examine at least one extinguisher of each type manufactured in the same year and kept on board.

1.9. Ten-year Service

At least once every 10 years, the following inspections should be carried out for the specified equipment:

- 1.9.1. Fixed gas fire-extinguishing systems:
 - a. perform a hydrostatic test and internal examination of 10 per cent of the system's extinguishing agent and pilot cylinders. If one or more cylinders fail, a total of 50 per cent of the onboard cylinders should be tested. If further cylinders fail, all cylinders should be tested;
 - b. flexible hoses should be replaced at the intervals recommended by the manufacturer and not exceeding every 10 years; and
 - c. if permitted by the Administration, visual inspection and NDT (non-destructive testing) of halon cylinders may be performed in lieu of hydrostatic testing.
- 1.9.2. Water mist, water spray and sprinkler systems:
 - a. Perform a hydrostatic test and internal examination for gas and water pressure cylinders according to flag Administration guidelines or, where these do not exist, EN 1968:2002 + A1.
- 1.9.3. Fixed dry chemical powder systems:
 - a. Subject all powder containment vessels to hydrostatic or nondestructive testing carried out by an accredited service agent.
- 1.9.4. Fixed aerosol extinguishing systems:
 - a. Condensed or dispersed aerosol generators to be renewed in accordance with manufacturer's recommendations.
- 1.9.5. Wheeled (mobile) fire extinguishers:
 - a. All extinguishers together with propellant cartridges should be hydrostatically tested by specially trained persons in accordance with recognized standards or the manufacturer's instructions.

2. Requirements for Specific Maintenance and Inspection of Portable Fire Extinguishers:

2.1. Please refer to Resolution A. 951(23) - Improved Guidelines for Marine Portable Fire Extinguishers

2.2. Spare Charges, Additional Fire Extinguishers and Refilling of Extinguishers

- 2.2.1. Spare charges shall be provided for 100% of the first 10 extinguishers and 50% of the remaining fire extinguishers capable of being recharged on board. Not more than 60 total spare charges are required. Instructions for recharging shall be carried on board.

<i>Prepared by: Translator</i>	<i>Revised by: Compliance and Enforcement Deputy Chief</i>	<i>Approved by: Compliance and Enforcement Chief</i>	
<i>Control N°: F-RIN-04-01</i>	<i>Version: 05</i>	<i>Date: 21 January, 2013</i>	<i>Page 9 of 11</i>

- 2.2.2. For fire extinguishers which cannot be recharged onboard, additional portable fire extinguishers of the same quantity, type, capacity shall be carried in lieu of spare charge.
- 2.2.3. Periodic refilling of the cylinders should be in accordance with the manufacturer's recommendations. Only refills approved for the extinguisher may be used for recharging. Partially emptied extinguishers should be recharged.
- 2.2.4. Ships constructed on or after 1 January 2009* should use the table showed in the **MSC.1/Circ. 1275 (Unified Interpretation of SOLAS CH II-2 on the number and arrangement of portable fire extinguishers on board ships)**, as reference for the number and arrangement of portable fire extinguishers in accommodation spaces, service spaces, control stations machinery spaces of category A, other machinery spaces, cargo spaces, weather deck and other spaces on board ship. For ships constructed before 1 January 2009, ship-owners are encouraged to implement this unified interpretation.
- 2.2.5. A portable fire extinguisher required for a small space may be located outside and near the entrance to that space.
- 2.2.6. If the wheelhouse is adjacent with the chartroom and has a door giving direct access to chartroom, no additional fire extinguisher is required in the chart room. The same applies to safety centers if they are within the boundaries of the wheelhouse in passenger ships.
- 2.2.7. Two portable fire extinguishers, each having a capacity of not less than 6kg of dry powder or equivalent, should be provided when dangerous goods are carried on the weather deck, in open ro-ro spaces and vehicle spaces, and in cargo space as appropriate. Two portable fire extinguishers, each having a suitable capacity, should be provided on weather deck for tankers.
- 2.2.8. No portable fire extinguisher needs to be provided in cargo holds of containerships if motor vehicles with fuel in their tank for their own propulsion are carried in open or closed containers.

3. Requirements for Specific Maintenance and Inspection of Fixed Fire-Extinguishing Systems:

3.1. Please refer to :

- 3.1.1. MSC.1/Circ. 1318 - Guidelines for the maintenance and inspections of fixed carbon dioxide fire- extinguishing systems
- 3.1.2. MSC.1/Circ. 1312 - Revised Guidelines for the Performance and Testing Criteria, and Surveys of Foam Concentrates for Fixed Fire extinguishing Systems
- 3.1.3. MSC.1/Circ.798 - Guidelines for Performance and Testing Criteria and Surveys of Medium expansion Concentrates For Fire Extinguishing Systems
- 3.1.4. MSC.1/Circ.670 - Guidelines for the Performance and Testing Criteria and Surveys of High expansion Foam Concentrates for Fixed Fire extinguishing Systems

* Note: For the applicability of items prescribed under the MSC.1/Circ. 1275 and then the use of the table specify in such MSC.1/Circ. 1275, this Administration considering the large amount of vessel register in Panama Flag decide to make in force the applicability for vessels contracted for construction on or after 15 April 2009.

<i>Prepared by: Translator</i>	<i>Revised by: Compliance and Enforcement Deputy Chief</i>	<i>Approved by: Compliance and Enforcement Chief</i>
<i>Control N°: F-RIN-04-01</i>	<i>Version: 05</i>	<i>Date: 21 January, 2013</i>
		Page 10 of 11

4. Additional Requirements for Halon Systems:

- 4.1. Halon installations of fire-extinguishing systems on board ships, which keel was laid or at a similar stage of construction on or after October 1994 are prohibited. Moreover, full-scale tests of Halon fire-extinguishing systems on board ships are prohibited since January 1992 in accordance with Resolution A.719 (17). However, an annual leakage check shall be carried out as per **MSC.1/Circ. 600 - Annual Leakage Check of Halon Fire-Extinguishing Systems**. The Chief Engineer can carry out this test if provided with the proper equipment and training;
- 4.2. During the annual leakage check, if any cylinder showing signs of leakage, loss of contents exceeding 5% from the installed quantity, signs of mechanical damage or excessive corrosion, must be withdrawn from service.

5. Fire Protection - Paint Lockers

5.1. Paint lockers shall be protected by:

- 5.1.1. a carbon dioxide system, designed to give a minimum volume of free gas equal to 40% of the gross volume of the protected space; or
- 5.1.2. a dry powder system, designed for at least 0.5 kg powder/m³; or
- 5.1.3. a water spraying or sprinkler system, designed for 5 l/m² min. Water spraying systems may be connected to the fire main of the ship; or
- 5.1.4. The fitting of a portable fire extinguisher immediately outside the entrance to the paint locker. The number of portable extinguishers is to be adequate to the size of the paint locker as determined by the Recognized Organization.

Note: In any case, the system shall be operable from outside the protected space

6. SOLAS - Emergency Fire Pump

This Administration accepts gasoline engine driven portable emergency fire pumps on board cargo ships less than 2000 GRT. Proper precautions must be observed in the storage and handling of gasoline with this equipment.

August, 2013

Inquiries concerning the subject of this Circular or any request should be directed to:

SEGUMAR-Panama

Directorate General of Merchant Marine

Panama Maritime Authority

Phone: (507) 501-5348 / 5350

Fax: (507) 501-5363 / 5364

E-mail: jortega@segumar.com

deputychief@segumar.com

<i>Prepared by: Translator</i>	Revised by: Compliance and Enforcement Deputy Chief	<i>Approved by: Compliance and Enforcement Chief</i>	
<i>Control N°: F-RIN-04-01</i>	<i>Version: 05</i>	<i>Date: 21 January, 2013</i>	<i>Page 11 of 11</i>

INTERNATIONAL MARITIME ORGANIZATION
4 ALBERT EMBANKMENT
LONDON SE1 7SR

Telephone: 020 7735 7611
Fax: 020 7587 3210



E

Ref: T4/4.01

MSC.1/Circ.1318
11 June 2009

**GUIDELINES FOR THE MAINTENANCE AND INSPECTIONS OF
FIXED CARBON DIOXIDE FIRE-EXTINGUISHING SYSTEMS**

1 The Committee, at its eighty-sixth session (27 May to 5 June 2009), having considered the proposal by the Sub-Committee on Fire Protection, at its fifty-third session, approved Guidelines for the maintenance and inspections of fixed carbon dioxide fire-extinguishing systems, as set out in the annex.

2 Member Governments are invited to apply the annexed Guidelines when inspecting fixed carbon dioxide fire-extinguishing systems on board all ships and bring them to the attention of ship designers, shipowners, equipment manufacturers, and other parties concerned.



ANNEX

GUIDELINES FOR THE MAINTENANCE AND INSPECTIONS OF FIXED CARBON DIOXIDE FIRE-EXTINGUISHING SYSTEMS

1 General

These Guidelines provide the minimum recommended level of maintenance and inspections for fixed carbon dioxide fire-extinguishing systems on all ships, and are intended to demonstrate that the system is kept in good working order as specified in SOLAS regulation II-2/14.2.1.2. These Guidelines are intended to supplement the fire-extinguishing system manufacturer's approved maintenance instructions. Certain maintenance procedures and inspections may be performed by competent crewmembers, while others should be performed by persons specially trained in the maintenance of such systems. The onboard maintenance plan should indicate which parts of the recommended inspections and maintenance should be completed by trained personnel.

2 Safety

Whenever carbon dioxide fire-extinguishing systems are subjected to inspection or maintenance, strict safety precautions should be followed to prevent the possibility that individuals performing or witnessing the activities are placed at risk. Prior to performing any work, a safety plan should be developed to account for all personnel and establish an effective communications system between the inspection personnel and the on-duty crew. Measures to avoid accidental discharges such as locking or removing the operating arms from directional valves, or shutting and locking the system block valve should be taken as the initial procedure for the protection of personnel performing any maintenance or inspections. All personnel should be notified of the impending activities before work is begun.

3 Maintenance and inspection plan

Fixed carbon dioxide fire-extinguishing systems should be kept in good working order and readily available for immediate use. Maintenance and inspections should be carried out in accordance with the ship's maintenance plan having due regard to ensuring the reliability of the system. The onboard maintenance plan should be included in the ship's safety management system and should be based on the system manufacturer's recommendations including:

- .1 maintenance and inspection procedures and instructions;
- .2 required schedules for periodic maintenance and inspections;
- .3 listing of recommended spare parts; and
- .4 records of inspections and maintenance, including corrective actions taken to maintain the system in operable condition.

4 Monthly inspections

4.1 At least every 30 days a general visual inspection should be made of the overall system condition for obvious signs of damage, and should include verification that:

- .1 all stop valves are in the closed position;
- .2 all releasing controls are in the proper position and readily accessible for immediate use;
- .3 all discharge piping and pneumatic tubing is intact and has not been damaged;
- .4 all high pressure cylinders are in place and properly secured; and
- .5 the alarm devices are in place and do not appear damaged.

4.2 In addition, on low pressure systems the inspections should verify that:

- .1 the pressure gauge is reading in the normal range;
- .2 the liquid level indicator is reading within the proper level;
- .3 the manually operated storage tank main service valve is secured in the open position; and
- .4 the vapour supply line valve is secured in the open position.

5 Annual inspections

The following minimum level of maintenance and inspections should be carried out in accordance with the system manufacturer's instructions and safety precautions:

- .1 the boundaries of the protected space should be visually inspected to confirm that no modifications have been made to the enclosure that have created uncloseable openings that would render the system ineffective;
- .2 all storage containers should be visually inspected for any signs of damage, rust or loose mounting hardware. Cylinders that are leaking, corroded, dented or bulging should be hydrostatically retested or replaced;
- .3 system piping should be visually inspected to check for damage, loose supports and corrosion. Nozzles should be inspected to ensure they have not been obstructed by the storage of spare parts or a new installation of structure or machinery;
- .4 the manifold should be inspected to verify that all flexible discharge hoses and fittings are properly tightened; and

- .5 all entrance doors to the protected space should close properly and should have warning signs, which indicate that the space is protected by a fixed carbon dioxide system and that personnel should evacuate immediately if the alarms sound. All remote releasing controls should be checked for clear operating instructions and indication as to the space served.

6 Minimum recommended maintenance

6.1 At least biennially (intervals of 2 years \pm 3 months) in passenger ships or at each intermediate, periodical or renewal survey* in cargo ships, the following maintenance should be carried out (to assist in carrying out the recommended maintenance, examples of service charts are set out in the appendix):

- .1 all high pressure cylinders and pilot cylinders should be weighed or have their contents verified by other reliable means to confirm that the available charge in each is above 90% of the nominal charge. Cylinders containing less than 90% of the nominal charge should be refilled. The liquid level of low pressure storage tanks should be checked to verify that the required amount of carbon dioxide to protect the largest hazard is available;
- .2 the hydrostatic test date of all storage containers should be checked. High pressure cylinders should be subjected to periodical tests at intervals not exceeding 10 years. At the 10-year inspection, at least 10% of the total number provided should be subjected to an internal inspection and hydrostatic test**. If one or more cylinders fail, a total of 50% of the onboard cylinders should be tested. If further cylinders fail, all cylinders should be tested. Flexible hoses should be replaced at the intervals recommended by the manufacturer and not exceeding every 10 years; and
- .3 the discharge piping and nozzles should be tested to verify that they are not blocked. The test should be performed by isolating the discharge piping from the system and flowing dry air or nitrogen from test cylinders or suitable means through the piping.

6.2 At least biennially (intervals of 2 years \pm 3 months) in passenger ships or at each renewal survey* in cargo ships, the following maintenance should be carried out by service technicians/specialists trained to standards accepted by the Administration:

- .1 where possible, all activating heads should be removed from the cylinder valves and tested for correct functioning by applying full working pressure through the pilot lines.

In cases where this is not possible, pilot lines should be disconnected from the cylinder valves and blanked off or connected together and tested with full working pressure from the release station and checked for leakage.

In both cases this should be carried out from one or more release stations when installed.

* Refer to Survey guidelines under the Harmonized System of Survey and Certification, 2007 (resolution A.997(25)).

** Refer to standard ISO 6406 – Periodic inspection and testing of seamless steel gas cylinders.

If manual pull cables operate the remote release controls, they should be checked to verify the cables and corner pulleys are in good condition and freely move and do not require an excessive amount of travel to activate the system;

- .2 all cable components should be cleaned and adjusted as necessary, and the cable connectors should be properly tightened. If the remote release controls are operated by pneumatic pressure, the tubing should be checked for leakage, and the proper charge of the remote releasing station pilot gas cylinders should be verified. All controls and warning devices should function normally, and the time delay, if fitted should prevent the discharge of gas for the required time period; and
- .3 after completion of the work, the system should be returned to service. All releasing controls should be verified in the proper position and connected to the correct control valves. All pressure switch interlocks should be reset and returned to service. All stop valves should be in the closed position.



APPENDIX

EXAMPLE SERVICE CHARTS

HIGH PRESSURE CO₂ SYSTEM

Date:	Name of ship/unit:	IMO No.:	
-------	--------------------	----------	--

Technical description

No.	Text	Value
1	Manufacturer	
2	Number of main cylinders	
3	Main cylinders capacity (each)	
4	Number of pilot cylinders	
5	Pilot cylinder capacity (each)	
6	Number of distribution lines	
7	Oldest cylinder pressure test date	
8	Protected space(s)	
9	Date flexible hoses fitted/renewed	

Description of inspection/Tests

No.	Description	Carried out	Not carried out	Not applicable	Comment
1	Release controls and distribution valves secured to prevent accidental discharge				
2	Contents in main cylinders checked by weighing				
3	Contents in main cylinders checked by liquid level indicator				
4	Contents of pilot cylinders checked				
5	All cylinder valves visually inspected				
6	All cylinder clamps and connections checked for tightness				
7	Manifold visually inspected				
8	Manifold tested for leakage, by applying dry working air				
9	Main valve and distribution valves visually inspected				
10	Main valve and distribution valves tested for operation				
11	Time delay devices tested for correct setting*				
12	Remote release system visually inspected				
13	Remote release system tested				
14	Servo tubing/pilot lines pressure tested at maximum working pressure and checked for leakages and blockage				
15	Manual pull cables, pulleys, gang releases tested, serviced and tightened/adjusted as necessary				
16	Release stations visually inspected				
17	Warning alarms (audible/visual) tested				
18	Fan stop tested*				
19	10% of cylinders and pilot cylinder/s pressure tested every 10 years				
20	Distribution lines and nozzles blown through, by applying dry working air				
21	All doors, hinges and locks inspected*				
22	All instruction and warning signs on installation inspected				
23	All flexible hoses renewed and check valves in manifold visually inspected every 10 years				
24	Release controls and distribution valves reconnected and system put back in service				
25	Inspection date tags attached				

* If fitted as part of the CO₂ system.

LOW PRESSURE CO₂ SYSTEM

Date:	Name of ship/unit:	IMO No.:	
-------	--------------------	----------	--

Technical description

No.	Text	Value
1	Manufacturer	
2	No. of tanks	
3	Tanks capacity (tonnes)	
4	Number of pilot cylinders	
5	Pilot cylinder capacity (each)	
6	Number of distribution lines	
7	Protected space(s)	

Description of inspection/Tests

No.	Description	Carried out	Not carried out	Not applicable	Comment
1	Tank main service valve closed and secured to prevent accidental discharge				
2	Distribution valves verified closed				
3	Check correct function of level indicator				
4	Contents of CO ₂ tank checked by tank level indicator				
5	Contents of CO ₂ tank checked by riser tube reading				
6	Contents of CO ₂ tank checked by level control valve				
7	Supports of tank inspected				
8	Insulation on tank inspected				
9	Safety valves of tank inspected				
10	Safety valves of tank tested				
11	Contents of pilot cylinders checked				
12	Start/stop function of cooling compressors tested				
13	All connected electrical alarms and indicators tested				
14	Main manifold valve inspected				
15	Main manifold valve tested				
16	Distribution valves inspected				
17	Distribution valves tested				
18	Release stations inspected				
19	Total flooding release mechanism inspected				
20	Total flooding release mechanism tested				
21	Time delay devices tested for correct setting*				
22	Warning alarms tested				
23	Fan stop tested*				
24	Distribution lines and nozzles inspected				
25	Distribution lines and nozzles tested				
26	Distribution lines and nozzles blown through				
27	All doors, hinges and locks inspected*				
28	All instruction plates inspected				
29	Tank main service valve reopened and secured open				
30	System put back in service				
31	Inspection date tags attached				

* If fitted as part of the CO₂ system.



IMO

E

ASSEMBLY
23rd session
Agenda item 17

A 23/Res.951
25 February 2004
Original: ENGLISH

Resolution A.951(23)

**Adopted on 5 December 2003
(Agenda item 17)**

IMPROVED GUIDELINES FOR MARINE PORTABLE FIRE EXTINGUISHERS

THE ASSEMBLY,

RECALLING Article 15(j) of the Convention on the International Maritime Organization concerning the functions of the Assembly in relation to regulations and guidelines concerning maritime safety,

RECALLING ALSO that, by resolution A.602(15), it adopted the Revised Guidelines for Marine Portable Fire Extinguishers, to supplement the relevant requirements of chapter II-2 of the International Convention for the Safety of Life at Sea (SOLAS), 1974, as amended, as well as chapter V of the Torremolinos International Convention for the Safety of Fishing Vessels, 1977,

RECOGNIZING the need to further improve the said Revised Guidelines following the adoption of amendments to chapter II-2 of the 1974 SOLAS Convention and of the 1993 Torremolinos Protocol to the 1977 Torremolinos Convention referred to above, and in the light of the experience gained from the application of the Revised Guidelines,

HAVING CONSIDERED the recommendation made by the Maritime Safety Committee at its seventy-fifth session,

1. ADOPTS the Improved Guidelines for Marine Portable Fire Extinguishers, the text of which is set out in the Annex to the present resolution;
2. RECOMMENDS Governments concerned to apply the annexed Improved Guidelines in conjunction with the appropriate requirements of the international instruments referred to above;
3. AUTHORIZES the Maritime Safety Committee to keep the Improved Guidelines under review and amend or extend them as necessary;
4. REVOKES resolution A.602(15).

For reasons of economy, this document is printed in a limited number. Delegates are kindly asked to bring their copies to meetings and not to request additional copies.

ANNEX

IMPROVED GUIDELINES FOR MARINE PORTABLE FIRE EXTINGUISHERS**1 Scope**

These Guidelines have been developed to supplement the relevant requirements for marine portable fire extinguishers* of the International Convention for the Safety of Life at Sea 74, as amended, the International Code for Fire Safety Systems (FSS Code) and the 1993 Torremolinos Protocol relating to the Torremolinos International Convention for the Safety of Fishing Vessels, 1977. The Guidelines are offered to Administrations to assist them in determining appropriate design and construction parameters. The status of the Guidelines is advisory. Their content is based on current practices and does not exclude the use of designs and materials other than those indicated below.

2 Definitions

2.1 An *extinguisher* is an appliance containing an extinguishing medium, which can be expelled by the action of internal pressure and be directed into a fire. This pressure may be stored pressure or be obtained by release of gas from a cartridge.

2.2 A *portable extinguisher* is one, which is designed to be carried and operated by hand, and which in working order has a total weight of not more than 23 kg.

2.3 *Extinguishing medium* is the substance contained in the extinguisher which is discharged to cause extinction of fire.

2.4 *Charge of an extinguisher* is the mass or volume of the extinguishing medium contained in the extinguisher. The quantity of the charge of water or foam extinguishers is normally expressed in volume (litres) and that of other types of extinguishers in mass (kilograms).

3 Classification

3.1 Extinguishers are classified according to the type of extinguishing medium they contain. At present the types of extinguishers and the uses for which they are recommended are as follows:

Extinguishing medium	Recommended for use on fires involving
Water Water with additives	wood, paper, textiles and similar materials
Foam	wood, paper, textiles and flammable liquids
Dry powder/dry chemical (standard/ classes B, C)	flammable liquids, electrical equipment and flammable gases
Dry powder/dry chemical (multiple or general purpose/classes A, B, C)	wood, paper, textiles, flammable liquids, electrical equipment and flammable gases
Dry powder/dry chemical (metal)	combustible metals
Carbon dioxide	flammable liquids and electrical equipment
Wet chemical for class F or K	cooking grease, fats or oil fires
Clean agents**	

* Wherever in the text of these Guidelines the word "*portable extinguisher*" appears it *should* be taken as meaning "marine portable fire extinguisher".

** Refer to the recommendations by the International Organization for Standardization, in particular Publication ISO 7165:1999, *Fire-fighting – Portable fire extinguishers – Performance and construction*.

3.2 A table is provided in the appendix which describes the general characteristics of each type of extinguisher.

4 Construction

4.1 The construction of an extinguisher should be designed and manufactured for simple and rapid operation, and ease of handling.

4.2 Extinguishers should be manufactured to a recognized national or international standard*, which includes a requirement that the body, and all other parts subject to internal pressure, be tested:

- .1 to a pressure of 5.5 MPa or 2.7 times the normal working pressure, whichever is the higher, for extinguishers with a service pressure not exceeding 2.5 MPa; or
- .2 in accordance with the recognized standard for extinguishers with a service pressure exceeding 2.5 MPa.

4.3 In the design of components, selection of materials and determination of maximum filling ratios and densities, consideration should be given to the temperature extremes to which extinguishers may be exposed on board ships and operating temperature ranges specified in the recognized standards.

4.3 The materials of construction of exposed parts and adjoining dissimilar metals should be carefully selected to function properly in the marine environment.

5 Fire classifications

5.1 Fire classifications are generally indicated as A, B, C, D and F (or K). There are currently two standards, defining classes of fires according to the nature of the material undergoing combustion, as follows:

International Organization for Standardization (ISO standard 3941)*	National Fire Protection Association (NFPA 10)
Class A: Fires involving solid materials, usually of an organic nature, in which combustion normally takes place with the formation of glowing embers.	Class A: Fires in ordinary combustible materials such as wood, cloth, paper, rubber and many plastics.
Class B: Fires involving liquids or liquefiable solids.	Class B: Fires in flammable liquids, oils, greases, tars, oil base paints, lacquers and flammable gases.
Class C: Fires involving gases.	Class C: Fires, which involve energized electrical equipment where the electrical non-conductivity of the extinguishing medium is of importance. (When electrical equipment is de-energized, extinguishers for class A or B fires may be used safely.)
Class D: Fires involving metals.	Class D: Fires in combustible metals such as magnesium, titanium, zirconium, sodium, lithium and potassium.
Class F: Fires involving cooking oils.	Class K: Fires involving cooking grease, fats and oils.

*Comite Europeen de Normalisation (CEN standard EN2) closely follows ISO standard 3941.

* Refer to the recommendations by the International Organization for Standardization, in particular Publication ISO 7165:1999, *Fire-fighting – Portable fire extinguishers – Performance and construction*.

6 Test specifications

6.1 Construction, performance and fire-extinguishing test specifications should be to the satisfaction of the Administration, having due regard to an established international standard*.

7 Criteria for assessing compliance with chapter 4 of the FSS Code and regulations V/20 and V/38 of the 1993 Torremolinos Protocol relating to the 1977 Torremolinos Convention

7.1 Chapter 4 of the FSS Code requires that extinguishers have a fire-extinguishing capability at least equivalent to that of a 9 L fluid extinguisher having a rating of 2A on class A fire which may be water or foam as required by the Administration. This equivalence may be demonstrated by fire test ratings determined according to an international, national or other recognized standard*.

7.2 The size and type of extinguishers should be dependent upon the potential fire hazards in the protected spaces while avoiding a multiplicity of types. Care should also be taken to ensure that the quantity of extinguishing medium released in small spaces does not endanger personnel.

8 Marking of extinguishers

8.1 Each extinguisher should be clearly marked with the following minimum information:

- .1 name of the manufacturer;
- .2 types of fire and rating for which the extinguisher is suitable;
- .3 type and quantity of extinguishing medium;
- .4 approval details;
- .5 instructions for use and recharge (it is recommended that operating instructions be given in pictorial form, in addition to explanatory text in language understood by the likely user);
- .6 year of manufacture;
- .7 temperature range over which the extinguisher will operate satisfactorily; and
- .8 test pressure.

9 Periodical inspections and maintenance

9.1 Extinguishers should be subject to periodical inspections in accordance with the manufacturer's instructions and serviced at intervals not exceeding one year.

* Refer to the recommendations by the International Organization for Standardization, in particular Publication ISO 7165:1999, *Fire-fighting – Portable fire extinguishers – Performance and construction*.

9.1.1 At least one extinguisher of each type manufactured in the same year and kept on board a ship should be test discharged at five yearly intervals (as part of a fire drill).

9.1.2 All extinguishers together with propellant cartridges should be hydraulically tested in accordance with the recognized standard or the manufacturer's instruction at intervals not exceeding ten years.

9.1.3 Service and inspection should only be undertaken by, or under the supervision of, a person with demonstrable competence, based on the inspection guide in table 9.1.3.

9.2 Records of inspections should be maintained. The records should show the date of inspection, the type of maintenance carried out and whether or not a pressure test was performed.

9.3 Extinguishers should be provided with a visual indication of discharge.

9.4 Instructions for recharging extinguishers should be supplied by the manufacturer and be available for use on board.



ANNUAL INSPECTION	
Safety clip and indicating devices	Check to see if the extinguisher may have been operated.
Pressure indicating device	Where fitted, check to see that the pressure is within limits. Check that dust covers on pressure indicating devices and relief valves are in place.
External examination	Inspect for corrosion, dents or damage which may affect the safe operation of the extinguisher.
Weight	Weigh the extinguisher and check the mass compared to the fully charged extinguisher.
Hose and nozzle	Check that hoses and nozzles are clear and undamaged.
Operating instructions	Check that they are in place and legible.
INSPECTION AT RECHARGE	
Water and foam charges	Remove the charge to a clean container if to be reused and check if it is still suitable for further use. Check any charge container.
Powder charges	Examine the powder for reuse. Ensure that it is free flowing and that there is no evidence of caking lumps or foreign bodies.
Gas cartridge	Examine for damage and corrosion.
INSPECTION AT FIVE AND TEN YEAR INTERVALS	
INSPECTION AFTER DISCHARGE TEST	
Air passages and operating mechanism	Prove clear passage by blowing through vent holes and vent devices in the cap. Check hose, nozzle strainer, discharge tube and breather valve, as applicable. Check the operating and discharge control. Clean and lubricate as required.
Operating mechanism	Check that the safety pin is removable and that the lever is undamaged.
Gas cartridge	Examine for damage and corrosion. Weigh the cartridge to ascertain that it is within prescribed limits.
O-rings washers and hose diaphragms	Check O-rings and replace hose diaphragms if fitted.
Water and foam bodies	Inspect the interior. Check for corrosion and lining deterioration. Check separate containers for leakage or damage.
Powder body	Examine the body and check internally for corrosion and lining deterioration.
INSPECTION AFTER RECHARGE	
Water and foam	Replace the charge in accordance with the manufacturers instructions.
Reassemble	Reassemble the extinguisher in accordance with the manufacturers instructions.
Maintenance label	Fill in entry on maintenance label, including full weight.
Mounting of extinguishers	Check the mounting bracket or stand.
Report	Complete a report on the state of maintenance of the extinguisher.

Table 9.1.3 – Inspection guide

APPENDIX

TYPES OF EXTINGUISHER								
Extinguishing medium used:	Water			Foam		Powder	Carbon dioxide	Clean agents
		Water, with possible salts in solution				Water solution containing foam generating substances	Dry chemical Powders	Pressurized carbon dioxide
Expellant charge of the extinguisher (stored pressure or cartridge as indicated):		Carbon dioxide or other pressurized inert gases or compressed air (stored pressure or separate cartridge)			Carbon dioxide or other pressurized inert gases or compressed air (stored pressure or separate cartridge)	Carbon dioxide or other inert gases or dry air (stored pressure or separate cartridge)		
The discharge of the extinguisher is achieved by:		Opening of the valve. Action of pressurized gas (opening of the cartridge)			Opening of the valve. Action of pressurized gas (opening of the cartridge)	Opening of the valve. Action of pressurized gas (opening of the cartridge)	Opening of the valve of the container constituting the extinguisher	

TYPES OF EXTINGUISHER								
	Water			Foam		Powder	Carbon dioxide	Clean agents
The discharged extinguishing medium consists of:	Water with possible salts in solution			Foam containing the gas used		Dry chemical powders and carbon dioxide or other gas	Carbon dioxide	
The discharged extinguishing medium causes the extinction of the fire by:	Cooling of the burning materials. Water evaporation and consequent formation of a local atmosphere (water/steam) which isolates the burning products from the surrounding air			Formation of a foam layer which isolates the burning products from the surrounding air and cooling in the case of class A fires		Inhibition of the combustion process by the interrupting the chemical reaction. Some separation of burning materials from the surrounding air	Formation of a local inert atmosphere (carbon dioxide) which isolates the burning material from the surrounding air. Smothering and cooling action of carbon dioxide	
The electrical resistance of the discharged extinguishing medium is:	Very low	Very low			Varied	Very high. Under intense heat some powders may be electrically conductive	Very high	

	TYPES OF EXTINGUISHER				
Operating peculiarities and limitations:	Water	Foam	Powder	Carbon dioxide	Clean agents
	The jet or spray of the extinguisher should be directed towards the base of the fire		Powder mixture subject to windage; they may therefore have reduced effectiveness in the open or in ventilated spaces	Gas subject to windage; they therefore have limited effectiveness in the open or in ventilated spaces	
		The extinction of the fire achieved only when all the burning surface is covered by foam			

	TYPES OF EXTINGUISHER						
	Water		Foam		Powder	Carbon dioxide	Clean agents
Disadvantages and dangers:	Not to be used where there is electrical hazard				Generated powder mixtures may be suffocating and can impair vision. Powder can damage electrical contact.	Carbon dioxide may be suffocating	
Maintenance:	Extinguishers with copper or copper alloy body should not be polished with products of corrosive or abrasive nature which may cause wall thickness reduction. Such extinguishers should be avoided but where used they should preferably be painted externally.				Some types of powder may be altered by humidity, therefore, avoid the refilling of the extinguisher in humid locations.		
	The charge can freeze at temperatures of about 0 ⁰ C (unless the charge is made non-freezable chemically)		The charge can freeze at about 5 ⁰ C. The charge can be altered by elevated temperatures (about 40 ⁰ C or more). Therefore, the extinguisher should not be installed in positions where it may be exposed to high or low temperatures.				
		Avoid installing the extinguisher in excessively warm locations, where the internal pressure of the carbon dioxide in the cartridge might rise to a very high value				When a carbon dioxide container is provided, avoid the installation of the extinguisher in excessively warm locations, where the internal pressure of the carbon dioxide in the container might rise to very high values.	



Ref. T4/4.01

MSC.1/Circ.1312
10 June 2009

**REVISED GUIDELINES FOR THE PERFORMANCE AND TESTING CRITERIA,
AND SURVEYS OF FOAM CONCENTRATES FOR
FIXED FIRE-EXTINGUISHING SYSTEMS**

- 1 The Maritime Safety Committee, at its sixtieth session (6 to 10 April 1992), approved Guidelines for the performance and testing criteria, and surveys of low-expansion foam concentrates for fixed fire-extinguishing systems (MSC/Circ.582).
- 2 The Committee, at its sixty-eighth session (28 May to 6 June 1997), approved Guidelines for the performance and testing criteria, and surveys of expansion foam concentrates for fixed fire-extinguishing systems of chemical tankers (MSC/Circ.799).
- 3 The Sub-Committee on Fire Protection, at its fifty-third session (16 to 20 February 2009) reviewed the aforementioned Guidelines and made amendments to the test methods for both types of foam concentrates which combined the test procedure into one document.
- 4 The Committee, at its eighty-sixth session (27 May to 5 June 2009), after having considered the above proposal by the Sub-Committee on Fire Protection, at its fifty-third session, approved the Revised Guidelines for the performance and testing criteria, and surveys of foam concentrates for fixed fire-extinguishing systems, as set out in the annex.
- 5 Member Governments are invited to apply the annexed Guidelines when approving foam concentrates for fixed fire-extinguishing systems onboard tankers and chemical tankers and bring them to the attention of ship designers, shipowners, equipment manufacturers, test laboratories and other parties concerned.
- 6 This circular supersedes MSC/Circ.582 and Corr.1, and MSC/Circ.799. Type approvals conducted in accordance with the aforementioned Guidelines should remain valid until 1 July 2012.

ANNEX

**REVISED GUIDELINES FOR THE PERFORMANCE AND TESTING CRITERIA,
AND SURVEYS OF FOAM CONCENTRATES FOR
FIXED FIRE-EXTINGUISHING SYSTEMS****1 GENERAL****1.1 Application**

These Guidelines apply to the foam concentrates used for fixed deck foam fire-extinguishing systems required for tankers by SOLAS regulations II-2/10.8 and chapter 14 of the International Code for Fire Safety Systems (FSS Code), and chemical tankers as specified by SOLAS regulation II-2/1.6.2.1.2 and the International Code for the Construction and Equipment of Ships Carrying Dangerous Chemicals in Bulk (IBC Code). These Guidelines also apply to foam concentrates for fixed foam fire-extinguishing systems in machinery spaces according to chapter 6 of the FSS Code and to portable foam applicators according to chapter 4 of the FSS Code. These Guidelines do not apply to the foam generating equipment, only the foam concentrate.

1.2 Definitions

For the purpose of these Guidelines, the following definitions apply:

1.2.1 *Foam (fire fighting)* is an aggregate of air filled bubbles formed from an aqueous solution of suitable foam concentrate.

1.2.2 *Foam solution* is a solution of foam concentrate and water.

1.2.3 *Foam concentrate* is a liquid which, when mixed with water in the appropriate concentration, gives a foam solution.

1.2.4 *Expansion ratio* is the ratio of the volume of foam to the volume of foam solution from which it was made.

1.2.5 *Spreading coefficient* is a measurement of the ability of one liquid to spontaneously spread across another.

1.2.6 *25% (50%) drainage time* is the time for 25% (50%) of the liquid content of a foam to drain out.

1.2.7 *Gentle application* is the application of foam to the surface of a liquid fuel via a backboard, tank wall or surface.

1.2.8 *Sediment* is insoluble particles in the foam concentrate.

1.2.9 *Aqueous film-forming foam concentrate (AFF)* is a foam concentrate based on a mixture of hydrocarbon and fluorinated surface active agents.

1.2.10 *Alcohol-resistant foam concentrate (AR)* is a foam concentrate that is resistant to breakdown when applied to the surface of alcohol or other polar solvents.

1.2.11 *Film-forming fluoroprotein foam concentrate (FFFP)* is a foam concentrate which has the ability to form an aqueous film on the surface of some hydrocarbons.

1.2.12 *Fluoroprotein foam concentrate (FP)* is a protein foam concentrate with added fluorinated surface active agents.

1.2.13 *Protein foam concentrate (P)* is a foam concentrate made from hydrolyzed protein materials.

1.2.14 *Synthetic foam concentrate (S)* is a foam concentrate based on a mixture of hydrocarbon surface active agents and which may contain fluorocarbons with additional stabilizers.

1.2.15 *Type A foam concentrates* are alcohol-resistant or multi-purpose foam concentrates.

1.2.16 *Type B foam concentrates* are all regular type foam concentrates that are not alcohol-resistant, including fluoroprotein and aqueous film-forming (AFF) foam concentrates.

2 SAMPLING PROCEDURE

The sampling method should ensure representative samples which should be stored in filled containers.

The sample size should be:

- .1 2 x 20 l containers (or other standard shipping containers) for type tests (see section 3); and
- .2 2 l for periodical controls (see section 4).

3 TESTS FOR TYPE APPROVAL OF FOAM CONCENTRATES

For foam concentrate type approval, the tests under paragraphs 3.1 to 3.14 below should be performed by the foam concentrate manufacturer at laboratories acceptable to the Administration.

3.1 Freezing and thawing

3.1.1 Before and after temperature conditioning in accordance with paragraph 3.1.2 below, the foam concentrate should show no visual sign of stratification, non-homogeneity or sedimentation.

3.1.2 Freezing and thawing test:

- .1 apparatus:
 - .1 freezing chamber, capable of achieving temperatures required, as stated in paragraph 3.1.2.2.1 below;
 - .2 polyethylene tube, approximately 10 mm diameter, 400 mm long and sealed and weighted at one end, with suitable spacers attached. Figure 1 shows a typical form; and
 - .3 500 ml cylinder, approximately 400 mm high and 65 mm in diameter.

- .2 procedure:
 - .1 set the temperature of the freezing chamber to a temperature which is 10°C below the freezing point of the sample measured in accordance with standard BS 5117, section 1.3 (excluding 5.2 in the standard). To prevent the glass measuring cylinder from breaking, due to expansion of the foam concentrate on freezing, insert the tube into the measuring cylinder, sealed end downward, weighted if necessary to avoid flotation, and the spacers ensuring it remains approximately on the central axis of the cylinder. Place the cylinder with the sample in the chest, cool it and maintain at the required temperature for 24 h. At the end of this period, thaw the sample for not less than 24 h and not more than 96 h in an ambient temperature of 20 to 25°C;
 - .2 repeat the procedure described in the above subparagraph three times to give four cycles of freezing and thawing; and
 - .3 condition the sample for seven days at 60°C followed by one day at room temperature. The sample shall then be examined for visual signs of stratification, non-homogeneity or sedimentation.

3.2 Heat stability

An unopened 20 l container (or other standard shipping container), as supplied by the manufacturer from a production batch, should be maintained for seven days at 60°C, followed by one day at room temperature. Following this conditioning, the foam liquid after agitating/stirring will be subjected to the fire test as per subsection 3.9. Only fire tests as per subsection 3.9 should be performed with the heat conditioned sample.

3.3 Sedimentation

3.3.1 Any sediment in the concentrate prepared in accordance with section 2 should be dispersible through a 180 µm sieve, and the percentage volume of sediment should not be more than 0.25% when tested in accordance with paragraph 3.3.2 below.

3.3.2 The test should be carried out as follows:

- .1 apparatus:
 - .1 graduated centrifuge tubes;
 - .2 centrifuge operating at $6,000 \pm 100$ m/s²;
 - .3 180 µm sieve complying with standard ISO 3310-1; and
 - .4 plastic wash bottle.

Note: a centrifuge and tubes complying with standard ISO 3734 are suitable; and

- .2 procedure: centrifuge each sample for 10 min. Determine the volume of the sediment and determine the percentage of this volume with respect to the centrifuged sample volume. Wash the contents of the centrifuge tube onto the sieve and check that the sediment can or cannot be dispersed through the sieve by the jet from the plastic wash bottle.

Note: It is possible that the test method is not suitable for some non-Newtonian foam concentrates. In this case an alternative method, to the satisfaction of the Administration, should be used so that compliance with this requirement can be verified.

3.4 Kinematic viscosity

3.4.1 The test should be carried out according to standard ASTM D 445-86 or ISO 3104. Kinematic viscosity should not exceed 200 mm²/s.

3.4.2 The method for determining viscosity of non-Newtonian foam concentrates or kinematic viscosity exceeding 200 mm²/s should be to the satisfaction of the Administration. A suitable method is described in standard EN 1568.

3.5 pH value

The pH of the foam concentrate prepared in accordance with section 2 should be not less than 6 and not more than 9.5 at 20 ± 2°C.

3.6 Film formation of the foam solution (if applicable)

3.6.1 The spreading coefficient should be determined using the following formula:

$$S = T_c - T_s - T_i$$

where:

S is the spreading coefficient;

T_c is the surface tension of cyclohexane (N/m);

T_s is the surface tension of the foam solution (N/m);

T_i is the interfacial tension between the foam solution and cyclohexane (N/m).

T_c , T_s and T_i should be determined according to paragraph 3.6.2 below.

The spreading coefficient S should be greater than 0.

3.6.2 Determination of T_c , T_s and T_i

.1 materials:

- .1 solution of foam concentrate, at the recommended usage concentration in distilled water complying with standard ISO 3696; and

Note: The solution may be made up in a 100 ml volumetric flask using a pipette to measure the foam concentrate.

- .2 for T_c and T_i , cyclohexane of purity not less than 99%;
- .2 procedures for surface tension: determine T_s at a temperature of $20 \pm 2^\circ\text{C}$ using the ring or plate method of standard ISO 304; and
- .3 procedure for interfacial tension: after measuring the surface tension in accordance with subparagraph .2 above, introduce a layer of cyclohexane at $20 \pm 2^\circ\text{C}$ onto the foam solution, being careful to avoid contact between the ring or plate and the cyclohexane. Wait 6 ± 1 min and measure T_i .

3.7 Expansion ratio

3.7.1 The test should be carried out according to paragraph 3.7.2 with simulated seawater at about 20°C having the characteristics stated in paragraph 3.7.3.

3.7.2 Determination of the expansion ratio

- .1 apparatus:
 - .1 plastic collecting vessel of volume V , known to ± 16 ml, as shown in figure 2, equipped with a bottom discharge facility;
 - .2 foam collector, as shown in figure 3; and
 - .3 foam making equipment with nozzle, as shown in figure 4, which when tested with water has a flow rate of 11.4 l/min at a nozzle pressure of 6.3 ± 0.3 bar;
- .2 procedure:
 - .1 check that the pipe work and hose from the foam solution tank to the nozzle is completely full of solution. Set up the nozzle horizontally directly in front of the foam collector with the front of the nozzle 3 ± 0.3 m from the top edge of the collector. Wet the vessel internally and weigh it (W_1). Set up the foam equipment and adjust the nozzle pressure to give a flow rate of 11.4 l/min. Discharge the foam and adjust the height of the nozzle so that the discharge strikes the collector centrally. Keep the nozzle horizontal. Stop the foam discharge and rinse all foam from the collector. Check that the foam solution tank is full. Start discharging the foam and after 30 ± 5 s to allow the discharge to stabilize, place the collecting vessel, with the discharge outlet closed, on the collector. As soon as the vessel is full, remove it from the collector, strike the foam surface level with the rim and start the clock. Weigh the vessel (W_2);
 - .2 calculate the expansion E from the equation:

$$E = \frac{V}{W_2 - W_1}$$

in which it is assumed that the density of the foam solution is 1 and where:

V is the vessel volume in m³;

W_1 is the mass of the empty vessel in grams;

W_2 is the mass of the full vessel in grams; and

- .3 open the drainage facility and collect the foam solution in the measuring cylinder to measure the 25% drainage time (see paragraph 3.8.1 below).

3.7.3 Simulated sea water may be made up by dissolving in 0.9584 kg of potable water:

25 g	Sodium chloride	(NaCl);
11 g	Magnesium chloride	(MgCl ₂ · 6 H ₂ O);
1.6 g	Calcium chloride	(CaCl ₂ · 2H ₂ O);
4 g	Sodium sulphate	(Na ₂ SO ₄).

3.8 Drainage time

3.8.1 The drainage time should be determined according to paragraph 3.7.2.3 above, after having determined the expansion ratio.

3.8.2 The test should be carried out with simulated seawater at about 20°C having the characteristics stated in paragraph 3.7.3 above.

3.9 Fire tests

Fire tests should be carried out according to paragraphs 3.9.1 to 3.9.7.

Note: The fire tests of this subsection 3.9 are more expensive and time consuming than the other tests of these Guidelines. It is recommended that fire tests should be carried out at the end of the test programme, so as to avoid the expense of unnecessary testing of foam concentrates which do not comply in other respects.

3.9.1 *Environmental conditions:*

- .1 air temperature $15 \pm 5^\circ\text{C}$;
- .2 fuel temperature $17.5 \pm 2.5^\circ\text{C}$;
- .3 water temperature $17.5 \pm 2.5^\circ\text{C}$;
- .4 foam solution temperature $17.5 \pm 2.5^\circ\text{C}$; and
- .5 maximum wind speed 3 m/s in proximity of the fire tray.

Note: If necessary, some form of wind-screen may be used.

3.9.2 *Observations during the fire test:*

During the fire test, record the following:

- .1 indoor or outdoor test;
- .2 air temperature;
- .3 fuel temperature;
- .4 water temperature;
- .5 foam solution temperature;
- .6 wind speed;
- .7 extinction time; and
- .8 25% burnback time.

Note: Burnback time may either be determined visually by an experienced person or may be determined from thermal radiation measurements (a suitable method is described in standard EN 1568).

3.9.3 *Foam solution:*

- .1 prepare a foam solution following the recommendations from the supplier for concentration, maximum premix time, compatibility with the test equipment, avoiding contamination by other types of foam, etc; and
- .2 the test should be carried out with simulated sea water at about 20°C having the characteristics stated in paragraph 3.7.3 above.

3.9.4 *Apparatus:*

- .1 fire tray: square tray with the following dimensions:

area	4.5 m ² ;
depth	200 mm;
thickness of steel wall	2.5 mm;

with a vertical steel backboard 1 ± 0.05 m high and 1 ± 0.05 m long;
- .2 foam making equipment: in accordance with paragraph 3.7.2.1 for type B foam concentrates. For type A foam concentrates, the foam application rate should be as determined by the manufacturer, up to a total of three nozzles in accordance with paragraph 3.7.2.1;

.3 burnback pot: circular burnback pot with the following dimensions:

diameter	300 ± 5 mm;
height	150 ± 5 mm;
thickness of steel wall	2.5 mm.

3.9.5 Fuel

3.9.5.1 For type B foams, use an aliphatic hydrocarbon mixture with physical properties according to the following specification:

distillation range	84°C to 105°C;
maximum difference between initial and final boiling points	10°C;
maximum aromatic content	1%;
density at 15°C	707.5 ± 2.5 kg/m ³ ;
temperature	about 20°C.

Note: Typical fuels meeting this specification are n-heptane and certain solvent fractions sometimes referred to as commercial heptane.

The Administration may require additional fire tests using an additional test fuel.

3.9.5.2 For type A foams, acetone and isopropyl alcohol should be used as the standard test fuels. However, the Administration may require additional fire tests using different test fuels for water-miscible cargoes that require a higher foam application rate than acetone. Impurities for all type A fuels should not exceed 1%.

3.9.6 Test procedure:

- .1 place the tray directly on the ground and ensure that it is level. If using heptane, add approximately 90 l of simulated sea water having the characteristics stated in paragraph 3.7.3, and check that the base of the tray is completely covered. Set up the foam nozzle horizontally, about 1 m above the ground in a position where the central part of the foam discharge will strike the centre axis of the backboard, 0.35 ± 0.1 m above the rim of the tray (gentle application). Add 144 ± 5 l of fuel, to give a nominal freeboard of 150 mm. If using acetone or isopropyl alcohol, add 234 ± 5 l of fuel directly into the tray, without water, to give a nominal freeboard of 150 mm;
- .2 ignite the tray not more than 5 min after adding the fuel and allow it to burn for a period of 60 ± 5 s after full involvement of the surface of the fuel, then start foam application; and

- .3 apply foam for 300 ± 2 s. Stop foam application and after a further 300 ± 10 s place the burnback pot, containing 2 ± 0.1 l of fuel in the centre of the tray and ignite. Visually estimate when 25% of the tray is covered by sustained flames or by “flare up” flames (see Note below), ignoring any faint, barely visible, or transient flames.

Note: During the burnback test, a “flare up” may occur, in which large flames may be sustained for periods typically from 30 s to 3 min before decreasing in intensity.

3.9.7 *Permissible limits:*

- .1 extinction time: not more than 5 min; and
- .2 burnback time: not less than 15 min for 25% of the surface.

3.10 **Corrosiveness**

The storage container should be compatible with its foam concentrate throughout the service life of the foam such that the chemical and physical properties of the foam should not deteriorate below the initial values accepted by the Administration.

3.11 **Volumic mass**

According to standard ASTM D 1298-85.

3.12 **Batch certificate**

The foam concentrate should be delivered with a declaration of the main characteristics (sedimentation, pH value, expansion ratio, drainage time and volumetric mass). The declaration should be issued by the maker and will be the basis for the annual condition test.

3.13 **Foam concentrate container marking**

Each foam concentrate container should be marked with complete information needed to identify the liquid and confirm its intended use. As a minimum, the following information should be included:

- .1 name and address of manufacturer;
- .2 product designation;
- .3 type of foam (synthetic, protein-based, etc.);
- .4 intended use (regular or alcohol-resistant);
- .5 batch number and reference to batch certificate;
- .6 date of manufacture;
- .7 expiry date;

- .8 reference to test standard and approvals;
- .9 recommended usage concentration;
- .10 indication if seawater compatible;
- .11 maximum and minimum storage temperature;
- .12 required onboard storage tank materials (steel, stainless steel, FRP, etc.);
- .13 quantity of foam concentrate;
- .14 indication of film forming capability; and
- .15 safety, health and environmental information.

3.14 Reference test and annual periodic re-test for protein-based alcohol-resistant foam concentrates

Protein-based alcohol-resistant foam concentrates should be required to demonstrate manufacturing consistency through an annual small-scale test at a recognized test laboratory. The reference test should be performed at the same time and at the same recognized laboratory as the full-scale test defined in subsection 3.9.

The concentrate should be tested according to standards ISO 7203-3 Annex C, EN 1568-4 Annex I, SP Method 2580 or another standard acceptable to the Administration. The reference test and annual test should be carried out to the same standard.

The concentrate is deemed to fail the test if the results from the annual small scale test indicate significant changes in the foam quality compared to the reference test.

4 PERIODICAL CONTROLS OF FOAM CONCENTRATES STORED ON BOARD

The attention of the Administration is drawn to the fact that particular installation conditions (excessive ambient storage temperature, contamination of the foam concentrate, incomplete filling of the tank, etc.) may lead to an abnormal ageing of the concentrates.

For periodical control of foam concentrates, the tests under paragraphs 4.1 to 4.7 should be performed by the shipowner or operator. They should be carried out at laboratories or authorized service suppliers acceptable to the Administration.

The deviations in the values obtained by these tests, in respect of those obtained during the type approval tests, should be within the ranges acceptable to the Administration.

Tests under paragraphs 4.1, 4.3 and 4.4 should be carried out on samples maintained at 60°C for 24 h and subsequently cooled to the test temperature.

4.1 Sedimentation

According to paragraph 3.3 above.

4.2 pH value

According to paragraph 3.5 above.

4.3 Expansion ratio

According to paragraph 3.7 above.

4.4 Drainage time

According to paragraph 3.8 above.

4.5 Volumic mass

According to paragraph 3.11 above.

4.6 Small scale fire test for protein-based alcohol-resistant foam concentrates

According to paragraph 3.14 above.

4.7 Chemical stability test for protein-based alcohol-resistant foam concentrates

Protein-based alcohol-resistant foam concentrates should be subjected to a stability test with acetone. A foam solution should be prepared at the approved concentration and gently applied to the surface of a tray containing acetone. The concentrate is deemed to fail the test if the foam solution mixes with the acetone.

5 INTERVALS OF PERIODIC CONTROLS

Except for tests in accordance with paragraph 4.7 the first periodical control of foam concentrates should be performed not more than 3 years after being supplied to the ship, and after that, every year. The tests required by paragraph 4.7 should be performed prior to delivery to the ship and annually thereafter.

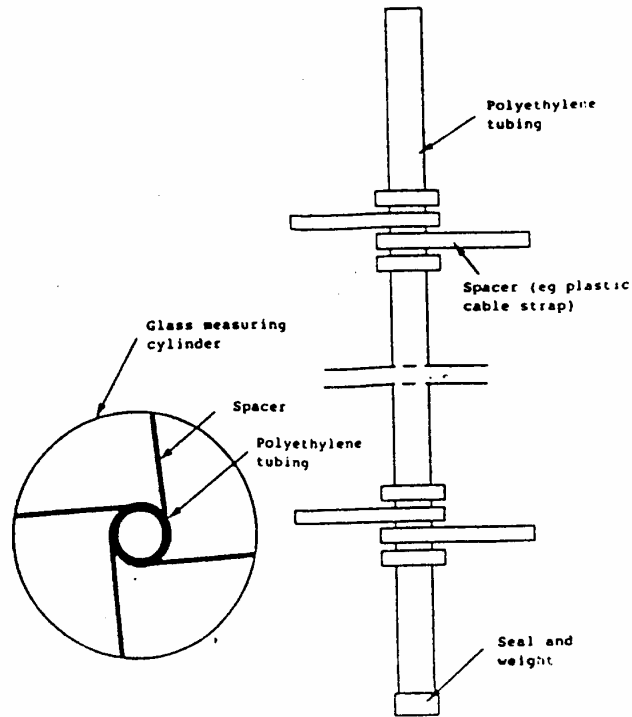


Figure 1 – Typical form of polyethylene tube

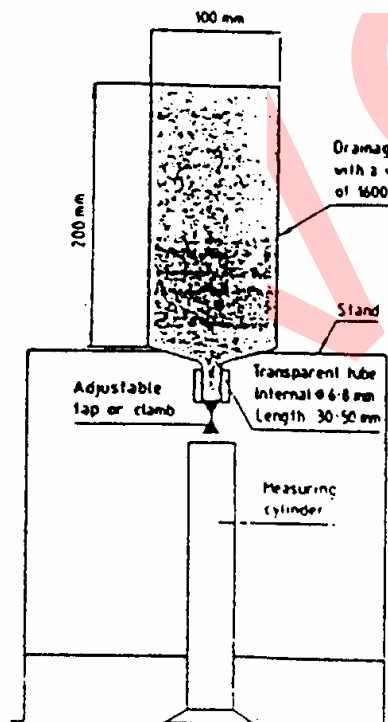


Figure 2 – Collecting vessel for determination of expansion and drainage time

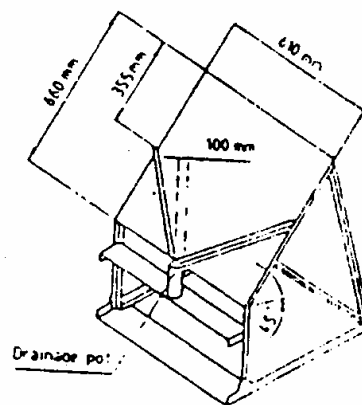


Figure 3 – Foam collector for expansion and drainage measurement

Note: Suitable materials for the collection surface are stainless steel, aluminium, brass or plastics

MSC/Circ.798
(9 June 1997)

**Guidelines for performance and testing criteria and
surveys of medium-expansion concentrates for
fire-extinguishing systems**

1 The Maritime Safety Committee, at its sixty-eighth session (28 May to 6 June 1997), approved Guidelines for performance and testing criteria and surveys of medium-expansion foam concentrates for fire-extinguishing systems, given in the annex.

2 Member Governments are recommended to ensure that tests for type approval and periodical controls of the medium-expansion foam concentrates are performed in accordance with the annexed Guidelines.

Annex

**Guidelines for performance and testing criteria and
surveys of medium-expansion foam concentrates
for fire-extinguishing systems**

1 General

1.1 Application

These Guidelines apply to the foam concentrates for medium-expansion foam fire-extinguishing systems referred to in SOLAS regulation II-2/61.

1.2 Definitions

For the purpose of these Guidelines the following definitions apply:

1.2.1 Foam (*fire fighting*): an aggregate of air filled bubbles formed from an aqueous solution of a suitable foam concentrate.

1.2.2 Foam *solution*: a solution of foam concentrate and waters.

1.2.3 Foam concentrate: the liquid which, when mixed with water in the appropriate concentration, gives a foam solution.

1.2.4 *Expansion ratio*: the ratio of the volume of foam to the volume of foam solution from which it was made.

1.2.5 *Spreading coefficient* a measurement of the ability of one liquid to spontaneously spread across another.

1.2.6 *25% (50%) drainage time*: the time for 25% (50%) of the liquid content of a foam to drain out.

1.2.7 *Gentle application*: application of foam to the surface of a liquid fuel via a backboard, tank wall or other surface.

1.2.8 *Sediment*: insoluble particles in the foam concentrate.

2 Sampling procedure

2.1 The sampling method should ensure representative samples which should be stored in filled containers.

2.2 The sample size should be:

- .1 30 / for type tests (see section 3); and
- .2 2 / for periodical controls (see section 4).

3 Tests for type approval of foam concentrates

For foam concentrate type approval, the tests under 3.1 to 3.10 should be performed. They should be carried out at laboratories acceptable to the Administration.

3.1 Freezing and thawing

3.1.1 Before and after temperature conditioning in accordance with 3.1.2, the foam concentrate should show no visual sign of stratification, non-homogeneity or sedimentation.

3.1.2 Freezing and thawing test

- .1 Apparatus:
 - .1 freezing chamber, capable of achieving temperatures required as stated in .2.1 below;
 - .2 polyethylene tube, approximately 10 mm diameter, 400 mm long and sealed and weighted at one end, with suitable spacers attached (figure 1 of MSC/Circ.582 shows a typical form); and
 - .3 500 ml cylinder approximately 400 mm high and 65 mm in diameter.

.2 Procedure:

- .1 set the temperature of the freezing chamber to a temperature which is 10°C below the freezing point of the sample measured in accordance with BS 5117: section 1.3 (excluding 5.2 in the Standard);

To prevent the glass measuring cylinder from breaking, due to expansion of the foam concentrate on freezing, insert the tube into the measuring cylinder, sealed end downward, weighted if necessary to void floatation, the spacers ensuring it remains approximately on the central axis of the cylinder.

Place the sample in the cylinder in the chest, cool and maintain at the required temperature for 24 h. At the end of this period thaw the sample for not less than 24 h and not more than 96 h in an ambient temperature range of 20°C to 25°C.

- .2 repeat .2.1 above three times to give four cycles of freezing and thawing;
- .3 examine the sample for stratification and non-homogeneity; and
- .4 condition the sample for 7 days at 60°C followed by one day at room temperature.

3.2 Heat stability

An unopened 20 l container (or other standard shipping container) as supplied by the manufacturer from a production batch should be maintained for 7 days at 60°C, followed by one day at room temperature. Following this conditioning, the foam liquid after agitating/stirring will be subjected to the fire test as per 3.8, and comply with the requirements given in these Guidelines.

3.3 Sedimentation

3.3.1 Any sediment in the concentrate prepared in accordance with section 2 should be dispersible through a 180 µm sieve, and the percentage volume of sediment should not be more than 0.25% when tested in accordance with 3.3.2.

3.3.2 The test should be carried out as follows:

- .1 Apparatus:
- .1 graduated centrifuge tubes;
 - .2 centrifuge operating at $6,000 \pm 100 \text{ m/s}^2$;
 - .3 180 µm sieve complying with ISO 3310-1; and

.4 plastic wash bottle.

Note: A centrifuge and tubes complying with ISO 3734 are suitable.

.2 Procedure:

Centrifuge each sample for 10 min. Determine the volume of the sediment and determine the percentage of this volume with respect to the centrifuged sample volume. Wash the contents of the centrifuge tube onto the sieve and check that the sediment can or cannot be dispersed through the sieve by the jet from the plastic wash bottle.

Note: It is possible that the test method is not suitable for some non-Newtonian foam concentrates. In this case an alternative method, to the satisfaction of the Administration, should be used so that compliance with this requirement can be verified.

3.4 *Kinematic viscosity*

3.4.1 The test should be carried out according to ASTM D 445-86 or ISO 3104. Kinematic viscosity should not exceed 200 mm²/s.

3.4.2 The method for determining viscosity of non-Newtonian foam concentrates should be to the satisfaction of the Administration.

3.5 *pH value*

The pH value of the foam concentrate should be not less than 6 and not more than 10 at temperature of 20 + 2°C.

3.6 *Expansion ratio*

3.6.1 The test should be carried out in accordance with 3.6.2 with seawater at about 20°C. Simulated seawater with the characteristics stated under 3.6.3 may be used. The expansion ratio obtained with the foam generators used on board should be consistent with the expansion ratio obtained with the foam generators during the fire test.

3.6.2 Determination of the expansion ratio:

.1 Apparatus:

.1 plastic collecting vessel of volume (V), approximately 200 l and accurately known to + 2 l;

(An example of suitable vessel is given in ISO 7203-2)

.2 medium-expansion foam-making equipment which when tested with water has a flow rate not less than 3 + 0.1 l/min at a nozzle pressure of 5 + 0.1 bar.

(An example of suitable apparatus is given in ISO 7203-2).

.2 Procedure:

- .1 wet the vessel internally and weight it (W_1). Set up the foam equipment and adjust the nozzle pressure of 5 + 0.1 bar. With the discharge facility closed, collect the foam in the vessel. As soon as the vessel is full, stop collecting foam and strike the foam surface level with the rim. Weigh the vessel (W_2). During the filling operation, keep the discharge facility in the bottom of the vessel closed until the total weight of the foam is determined;
- .2 calculate the expansion E from the equation:

$$E = \frac{V}{W_2 - W_1}$$

where it is assumed that the density of the foam solution is 1.0 kg/l;

V is the vessel volume, in ml;

W_1 is the mass of the empty vessel, in grams; and

W_2 is the mass of the full vessel, in grams;

- .3 open the drainage facility and measure the 50% drainage time (see 3.7.1 below).

Determine the drainage either by having the vessel on a scale and recording the weight loss, or by collecting the drained foam solution in a measuring cylinder.

3.6.3 Simulated seawater may be made up by dissolving:

- 25 g Sodium chloride (NaCl),
- 11 g Magnesium chloride ($MgCl_2 \cdot 6H_2O$),
- 1.6 g Calcium chloride ($CaCl_2 \cdot 2H_2O$),
- 4 g Sodium sulphate (Na_2SO_4).

3.7 Drainage time

3.7.1 The drainage time should be determined, after having determined the expansion ratio, in accordance with 3.6.2.3.

3.7.2 The test should be carried out with seawater at about 20°C. Simulated seawater with the characteristics stated in 3.6.3 may be used.

3.7.3 Drainage time obtained with the foam generators used on board should be consistent with the drainage time obtained with the foam generators during the fire test.

3.8 Fire tests

Fire tests should be carried out in accordance with 3.8.1 to 3.8.7 below.

Note: The fire tests of section 3.8 are more expensive and time consuming than the other tests of these Guidelines. It is recommended that fire tests should be carried out at the end of the test programme, so as to avoid expense of unnecessary testing of foam concentrates which do not comply in other respects.

3.8.1 Environmental conditions

- .1 Air temperature: $15 \pm 5^{\circ}\text{C}$.
- .2 Maximum wind speed: 3 m/s in proximity of the fire tray.

3.8.2 Records

During the fire test, the following should be recorded:

- .1 indoor or outdoor test;
- .2 air temperature;
- .3 fuel temperature;
- .4 water temperature;
- .5 foam solution temperature;
- .6 wind speed; and
- .7 extinction time.

3.8.3 Foam solution

- .1 Prepare a foam solution, following the recommendations from the supplier for concentration, maximum premix time, compatibility with the test equipment, avoiding contamination by other types of foam, etc.
- .2 The test should be carried out with seawater at about 20°C . Simulated seawater with the characteristics stated in 3.6.3 may be used.

3.8.4 Apparatus

- .1 Fire tray:

Circular fire tray of steel with dimensions as follows:

diameter at rim: 1,480 + 15 mm

depth: 150 + 10 mm

normal thickness of steel wall: 2.5 mm

Note: The tray has an area of approximately 1.73 m^2 .

- .2 Foam-making equipment:
In accordance with subparagraph 3.6.2.1.

3.8.5 Fuel

An aliphatic hydrocarbon mixture with physical properties according to the following specification should be used:

- | | | |
|----|---|-------------------------------|
| .1 | distillation range: | 84-105° |
| .2 | maximum difference between
initial and boiling points: | 10°C |
| .3 | maximum aromatic content: | 1% |
| .4 | density at 15°: | 707.5 + 2.5 kg/m ³ |
| .5 | temperature: | about 20°C. |

Note: Typical fuels meeting this specification are *n*-heptane and certain solvent fractions sometimes referred to as commercial heptane.

The Administration may require additional fire tests using an additional test fuel.

3.8.6 Test procedure

3.8.6.1 Place the tray directly on the ground and ensure that it is level. Add approximately 30 l of fresh water and 55 + 2 l of fuel, to give a nominal freeboard of 100 mm.

3.8.6.2 Not later than 5 min after adding of a fuel, ignite the fuel and allow it to burn free for a period of not less than 180 s after the full involvement. Set up the foam equipment at a height which is equal to the upper edge of the rim as it is shown at figure 1. 200 + 5 s after full involvement of the surface into the fire, apply foam along the wall of the tray for a period of 120 + 2 s. Record the extinction time as the period from start of foam application to extinction.

3.8.7 Permissible limits

Extinction time % not more than 120 s.

3.9 Corrosiveness

The storage container shall be compatible with its foam concentrate, throughout the service life of the foam, such that the chemical and physical properties of the foam shall not deteriorate below the initial values accepted by the Administration.

3.10 Volumic mass

According to ASTM D 1298-85.

4 Periodical controls of foam concentrates stored on board

The attention of the Administration is drawn to the fact that particular installation conditions (excessive ambient temperature, incomplete filling of the tank, etc.) may lead to an abnormal ageing of the concentrates.

For the periodical control of foam concentrate, the tests under 4.1 to 4.5 should be performed. They should be carried out at laboratories acceptable to the Administration.

The deviations in the values obtained by these tests, in respect of those obtained during the type approval tests, should be within ranges acceptable to the Administration.

Tests under 4.1, 4.3 and 4.4 should be carried out on samples maintained at 60°C for 24 h and subsequently cooled to the test temperature.

4.1 *Sedimentation*

According to 3.3 above.

4.2 *pH value*

According to 3.5 above.

4.3 *Expansion ratio*

According to 3.6 above.

4.4 *Drainage time*

According to 3.7 above.

4.5 *Volumic mass*

According to 3.10 above.

5 Intervals of periodical controls

5.1 The first periodical control of foam concentrates stored on board should be performed after a period of 3 years and, after that, every year.

5.2 A record of the age of the foam concentrates and of subsequent controls should be kept on board.

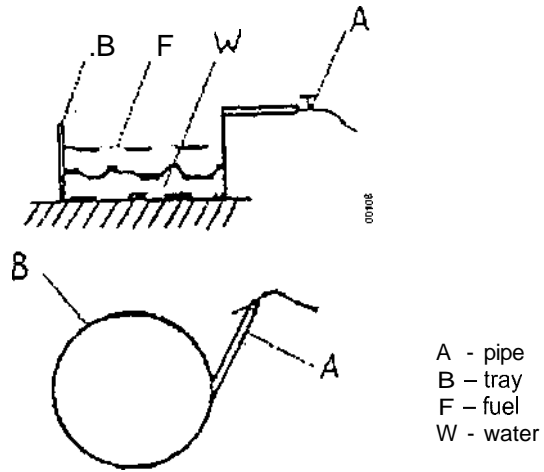


Figure 1 - Fire test arrangement of medium expansion foam



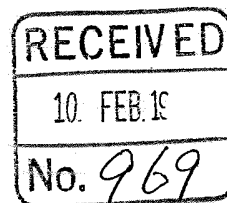
INTERNATIONAL MARITIME ORGANIZATION

4 ALBERT EMBANKMENT
LONDON SE1 7SR

Telephone: 0171-735 7611
Telegrams: INTERMAR-LONDON SE1
Telex: 23588
Telefax: 0171-587 3210



MSC/Circ.670
5 January 1995

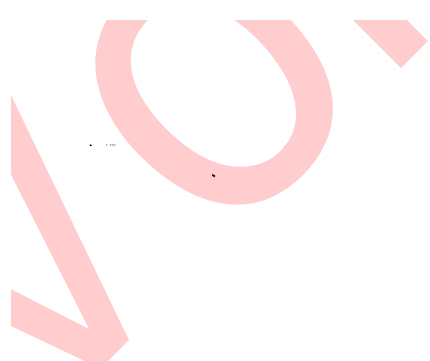


Ref. T4/4.03

**GUIDELINES FOR THE PERFORMANCE AND TESTING CRITERIA
AND SURVEYS OF HIGH-EXPANSION FOAM CONCENTRATES
FOR FIXED FIRE-EXTINGUISHING SYSTEMS**

1 The Maritime Safety Committee, at its sixty-fourth session (5 to 9 December 1994), approved Guidelines for the performance and testing criteria and surveys of high-expansion foam concentrates for fixed fire-extinguishing systems, given in annex.

2 Member Governments are recommended to ensure that tests for type approval and periodical control of the high-expansion foam concentrates are performed in accordance with the annexed guidelines.



ANNEXGUIDELINES FOR THE PERFORMANCE AND TESTING CRITERIA
AND SURVEYS OF HIGH-EXPANSION FOAM CONCENTRATES
FOR FIXED FIRE-EXTINGUISHING SYSTEMS

1 GENERAL

1.1 Application

These guidelines apply to the foam concentrates for fixed high-expansion foam fire-extinguishing systems referred to in SOLAS regulation II-2/9.

1.2 Definitions

(As per annex to MSC/Circ.582).

2 SAMPLING PROCEDURE

(As per annex to MSC/Circ.582).

3 TESTS FOR TYPE APPROVAL OF FOAM CONCENTRATES

(Paragraphs 3.1 to 3.5 are the same as per annex to MSC/Circ.582).

(Reference in paragraph 3 is to be modified from "3.1-3.11" to "3.1-3.10").

(Reference in paragraph 3.2 is to be modified from "3.9" to "3.8").

3.6 Expansion ratio

3.6.1 The test should be carried out according to paragraph 3.6.2, with sea water at about 20°C. Simulated sea water with the characteristics stated under 3.6.3 may be used. The expansion ratio obtained with the foam generators used on board should be consistent with the expansion ratio obtained with the foam generators during the fire test.

3.6.2 Determination of the expansion ratio

(a) Apparatus:

- plastic collecting vessel of volume V, approximately 500 L and accurately known to ± 5 L;
- high expansion foam-making equipment which when tested with water has a flow rate of 6.1 ± 0.1 L/min at a nozzle pressure of (5.0 ± 0.1) bar.

An example for a suitable apparatus is given in document ISO 7203-2.

(b) Procedure:

(b.1) Wet the vessel internally and weigh it (W_1). Set up the foam equipment and adjust the nozzle pressure to give a flow rate of 6.1 L/min. With the discharge facility closed, collect foam in the vessel. As soon as the vessel is full, stop collecting foam and strike the foam surface level with the rim. Weigh the vessel (W_2). During the filling operation, keep the discharge facility in the bottom of the vessel closed until the total weight of the foam is determined.

(b.2) Calculate the expansion E from the equation:

$$E = \frac{V}{W_2 - W_1}$$

in which it is assumed that the density of the foam solution is 1.0 kg/L and where:

V is the vessel volume, in mL;

W_1 is the mass of the empty vessel, in grammes;

W_2 is the mass of the full vessel, in grammes.

Assume that the density of the foam solution is 1.0 kg/L.

(b.3) Open the drainage facility and measure the 50% drainage time (see paragraph 3.7.1 hereinafter).

Determine the drainage either by having the vessel on a scale and recording the weight loss, or by collecting the drained foam solution in a measuring cylinder.

Care should be taken to ensure that there are no voids in the foam collected in the vessel.

3.6.3 Simulated sea water may be made up by dissolving

25.0 g Sodium chloride (NaCl)
11.0 g Magnesium chloride ($MgCl_2 \cdot 6H_2O$)
1.6 g Calcium chloride ($CaCl_2 \cdot 2H_2O$)
4.0 g Sodium sulphate (Na_2SO_4)

in each litre of potable water.

3.7 Drainage time

3.7.1 The drainage time should be determined, after having determined the expansion ratio, according to paragraph 3.6.2(b.3).

3.7.2 The test should be carried out with sea water at about 20°C. Simulated sea water with the characteristics stated in 3.6.3 may be used.

3.7.3 Drainage time obtained with the foam generators used on board should be consistent with the drainage time obtained with the foam generators during the fire test.

3.8 Fire tests

Fire tests should be carried out according to the following paragraphs 3.8.1 to 3.8.7.

NOTE: The fire tests of section 3.8 are more expensive and time consuming than the other tests of these guidelines. It is recommended that fire tests should be carried out at the end of the test programme, so as to avoid expense of unnecessary testing of foam concentrates which do not comply in other respects.

3.8.1 Environmental conditions

- Air temperature : $(15 \pm 5)^{\circ}\text{C}$
- Maximum wind speed : 3 m/s in proximity of the fire tray

3.8.2 Records

During the fire test, record the following:

- indoor or outdoor test
- air temperature
- fuel temperature
- water temperature
- foam solution temperature
- wind speed
- extinction time.

3.8.3 Foam solution

- (a) Prepare a foam solution, following the recommendations from the supplier for concentration, maximum premix time, compatibility with the test equipment, avoiding contamination by other types of foam, etc.
- (b) The test should be carried out with sea water at about 20°C . Simulated sea water with the characteristics stated in 3.6.3 may be used.

3.8.4 Apparatus

- (a) Fire tray:

Circular fire tray of steel with dimensions as follows:

diameter at rim: : $(1,480 \pm 15)$ mm
depth : (150 ± 10) mm
nominal thickness of steel wall : 2.5 mm

NOTE: The tray has an area of approximately 1.73 m^2 .

- (b) Foam-making equipment:

In accordance with subparagraph 3.6.2(a).

- (c) Fire screens:

Fire screens of nominal 5 mm square metal mesh to form the nominal arrangement mentioned in subparagraph 3.8.6.

3.8.5 Fuel

Use an aliphatic hydrocarbon mixture with physical properties according to the following specification

- distillation range : 84°C-105°C
- maximum difference between initial and final boiling points : 10°C
- maximum aromatic content : 1%
- density at 15°C : $(707.5 \pm 2.5) \text{ kg/m}^3$
- temperature : about 20°C

NOTE: Typical fuels meeting this specification are n-heptane and certain solvent fractions sometimes referred to as commercial heptane.

The Administration may require additional fire tests using an additional test fuel.

3.8.6 Test procedure

- (a) Place the tray directly on the ground and ensure that it is level. Add approximately 30 litres of sea water, or simulated sea water with the characteristics stated in 3.6.3, and (55 ± 5) litres of fuel, to give a nominal freeboard of 100 mm.
- (b) Place the net screens around the fire tray as shown in figure 2. Within 5 min ignite the fuel and allow it to burn for a period of not less than 45 s. Commence foam generation with the foam generator some distance from the fire.

(60 \pm 5) s after full involvement move the foam generator to the opening between the net screen and apply foam to the fire. Apply foam for a period of (120 \pm 2) s. Record the extinction time as the period from start of foam application to extinction.

3.8.7 Permissible limits

extinction time: not more than 120 s

3.9 Corrosiveness

(As per paragraph 3.10 of annex to MSC/Circ.582).

3.10 Volumic mass

(As per paragraph 3.11 of annex to MSC/Circ.582).

4 PERIODICAL CONTROLS OF FOAM CONCENTRATES STORED ON BOARD

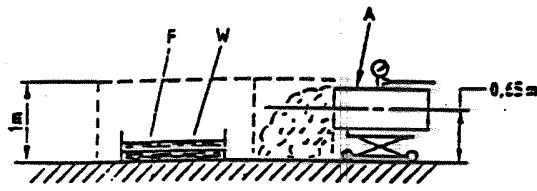
(As per annex to MSC/Circ.582).

5 INTERVAL OF PERIODICAL CONTROLS

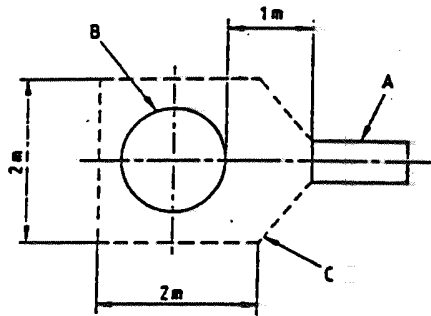
(As per annex to MSC/Circ.582).

Figure 1

(as per figure 1 of annex to MSC/Circ. 582)



- A - High expansion foam generator on wheeled trolley
- B - Tray
- C - Metal mesh screens
- F - Fuel
- W - Water



All dimensions are nominal in m

Figure 2 - Fire test arrangement

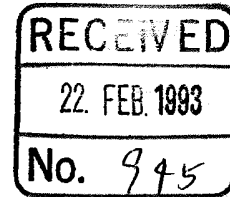
INTERNATIONAL MARITIME ORGANIZATION

4 ALBERT EMBANKMENT,
LONDON SE1 7SR

Telephone: 071-735 7611
Telegrams: INTERMAR-LONDON SE1
Telex: 23588
Telefax: 071-587 3210



MSC/Circ.600
29 January 1993



Ref. T1/2.04

ANNUAL LEAKAGE CHECK OF HALON FIRE-EXTINGUISHING SYSTEMS

- 1 The Maritime Safety Committee, at its sixty-first session (7 to 11 December 1992), adopted amendments to regulation II-2/5.3.1 of the 1974 SOLAS Convention prohibiting the new installation of halon fire-extinguishing systems, as a follow-up action to Assembly resolution A.719(17) - Prevention of Air Pollution from Ships.
- 2 The Committee noted progress being made by the Sub-Committee on Bulk Chemicals in developing regulations for a new annex to MARPOL 73/78 dealing with the prevention of air pollution from ships and by the Sub-Committee on Fire Protection (FP Sub-Committee) in considering necessary measures for existing halon fire-extinguishing systems on board ships.
- 3 The Committee recognized that alternative fire-extinguishing systems are still being developed, that reception facilities to store or dispose of halogenated hydrocarbons removed from ships are not yet readily available and that it would take some time to develop and put into force international regulations for the prevention of air pollution from ships under the MARPOL Convention. Having considered the recommendations of the FP Sub-Committee, the Committee, therefore, agreed to draw attention to existing halon fire-extinguishing systems to prevent the possibility of leakage into the air by establishing a requirement for periodic examinations and maintenance.
- 4 Member Governments are, therefore, urged to introduce in their survey and inspection system established under the SOLAS and MARPOL Conventions, an annual leakage test programme for existing halon fire-extinguishing systems